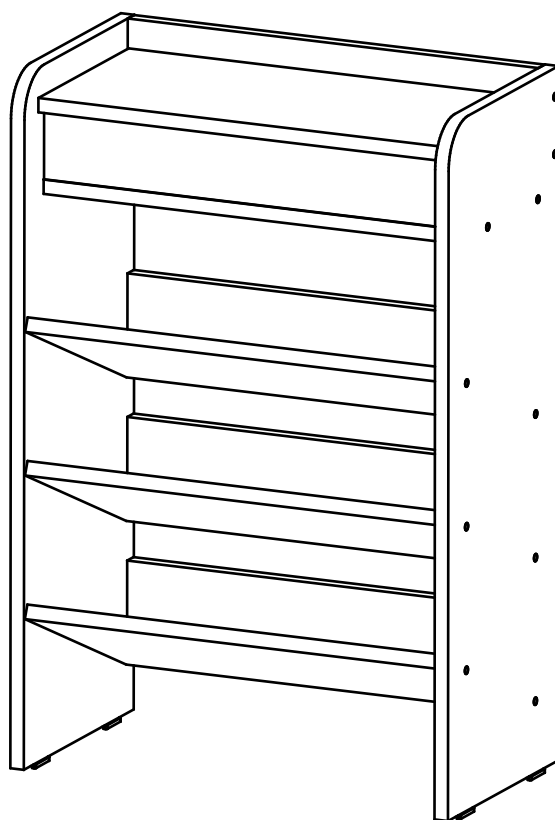


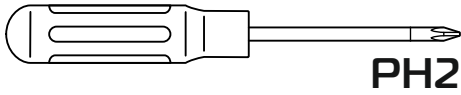
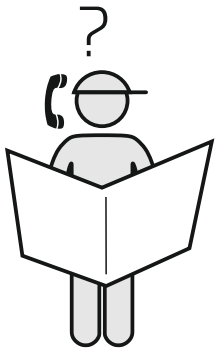
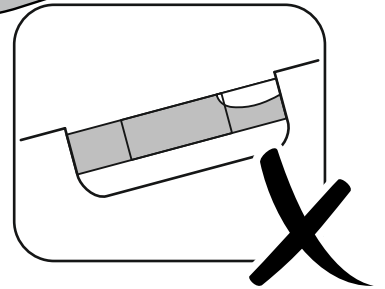
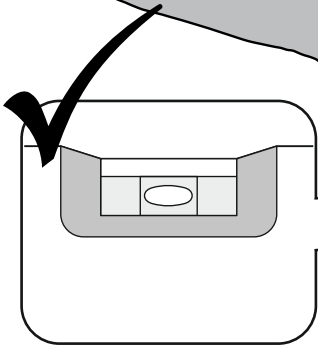
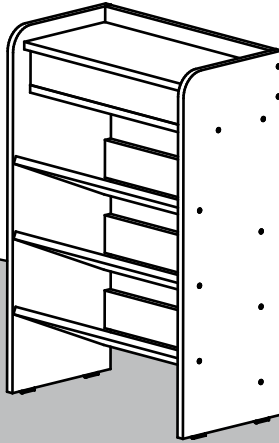
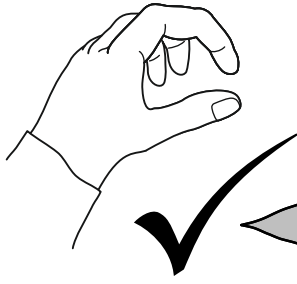
HOPTA-4

NORTA-4

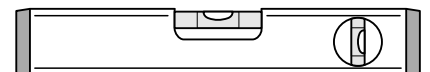
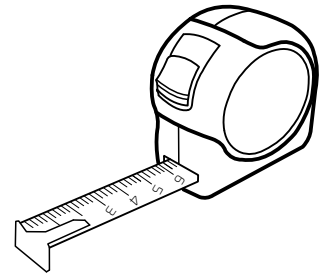
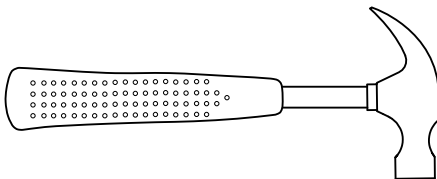


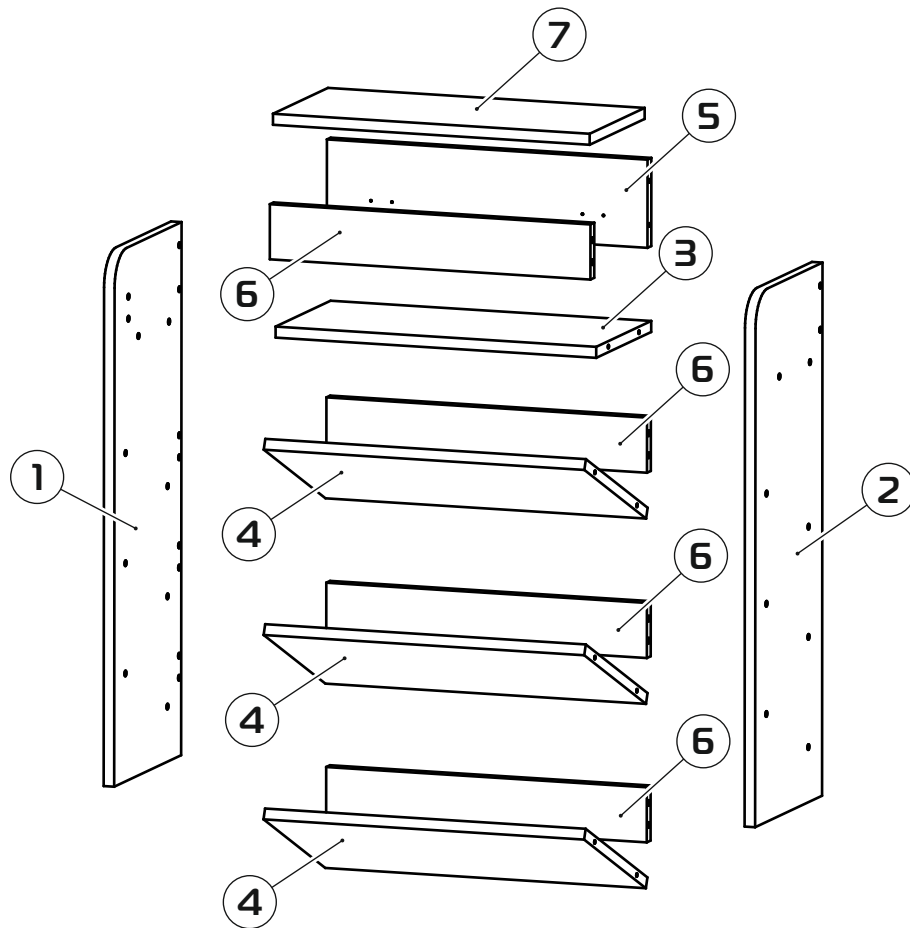


45-60 min



PH2





① 774x280x16 (x1)

② 774x280x16 (x1)

③ 488x230x16 (x1)

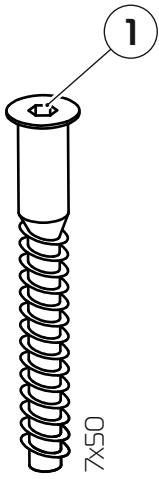
④ 488x282x16 (x3)

⑤ 488x128x16 (x1)

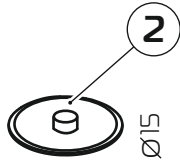
⑥ 488x80x16 (x1)

⑦ 482x230x16 (x1)

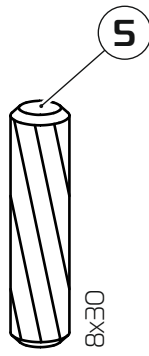
1:1



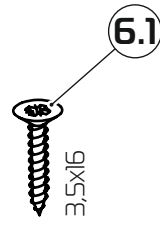
x20



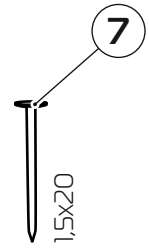
x20



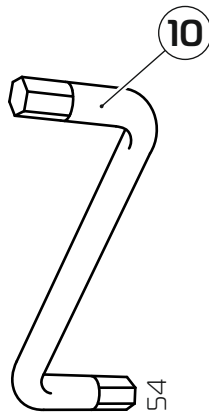
x16



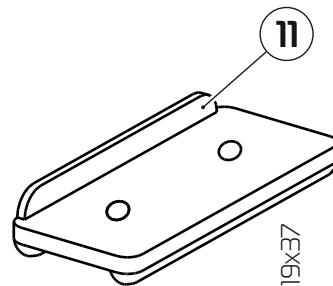
x8



x8

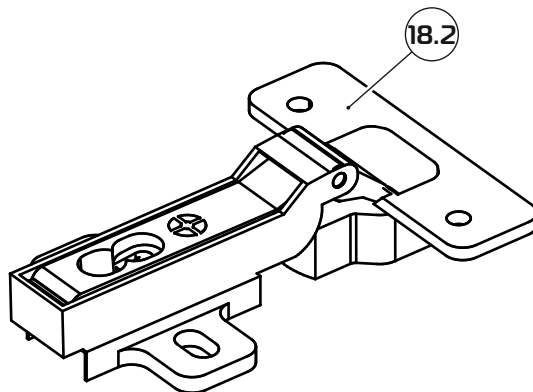


x1

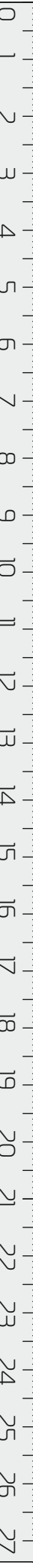


x4

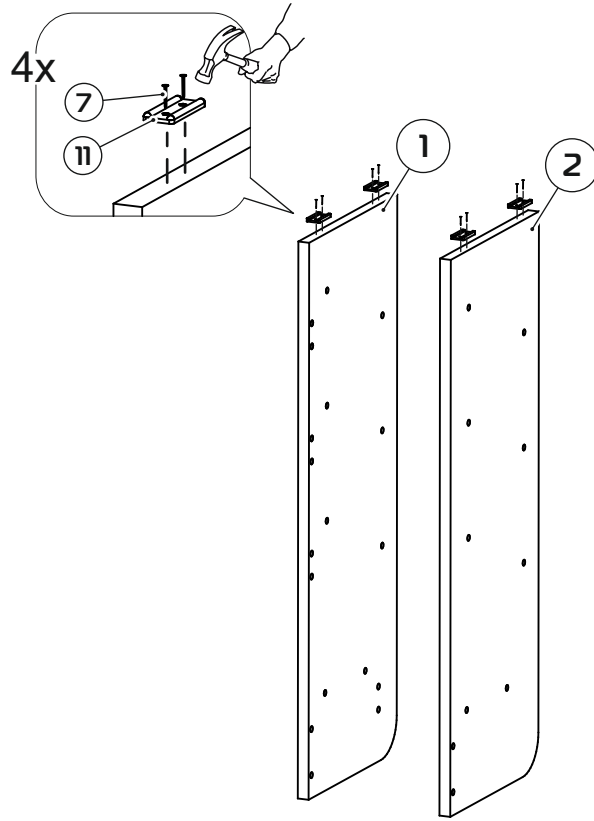
1:2



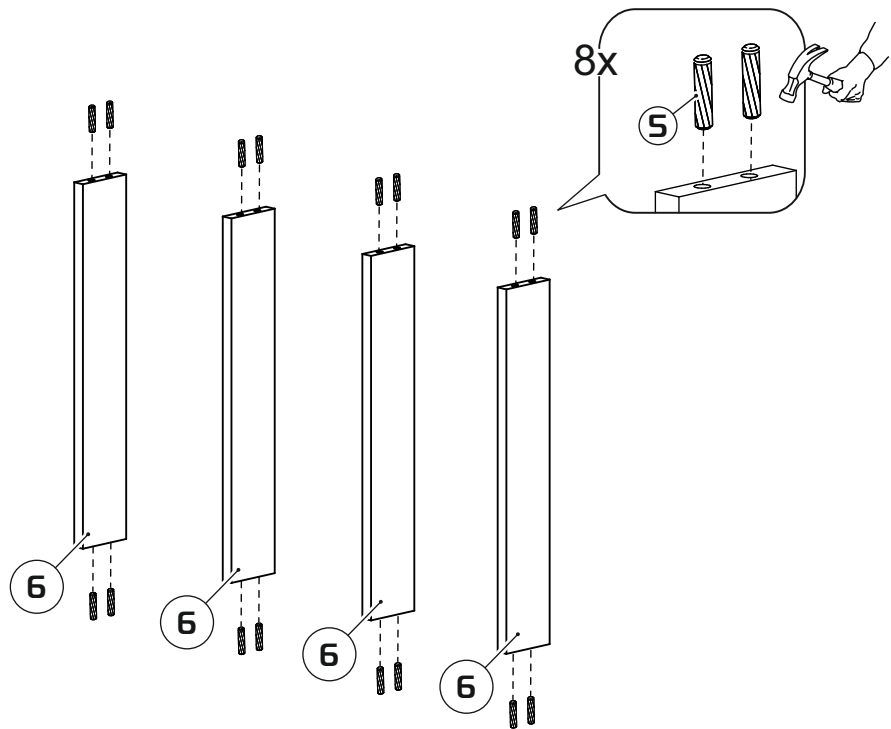
x2



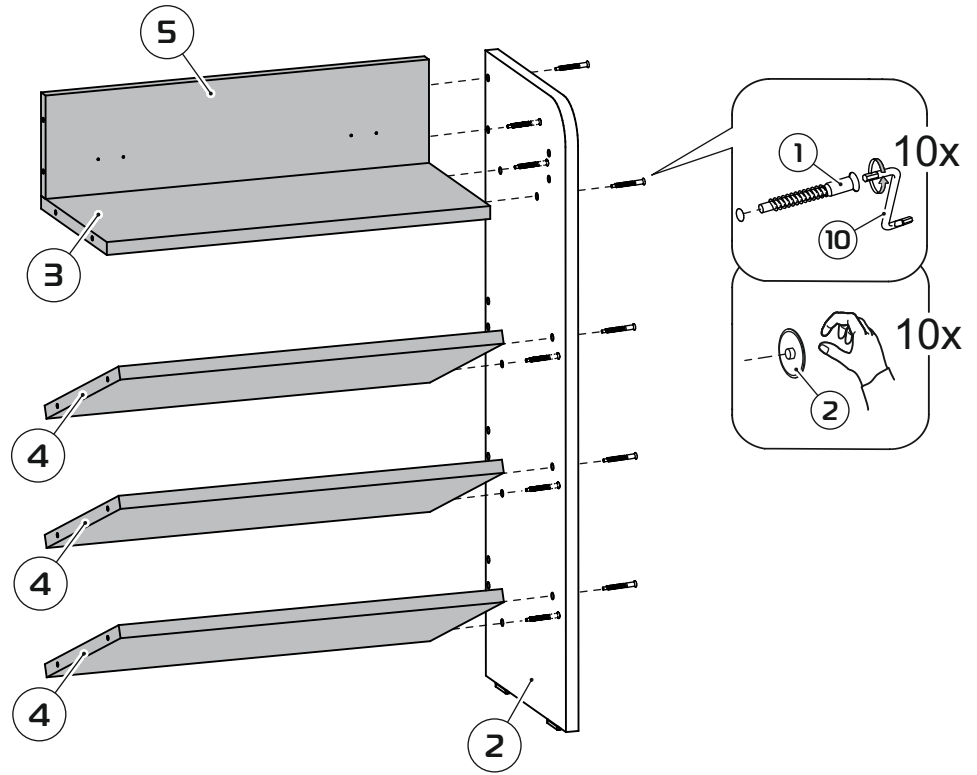
1



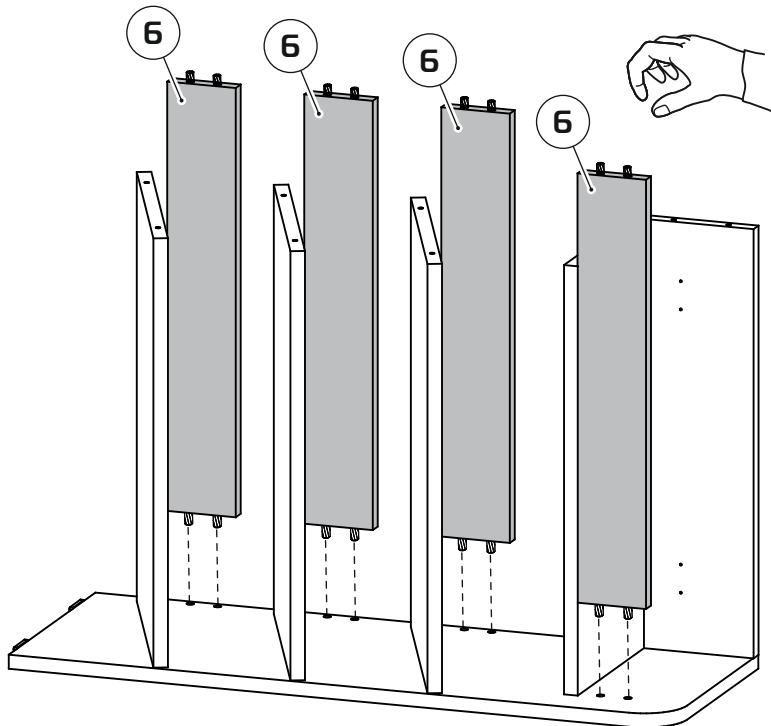
2



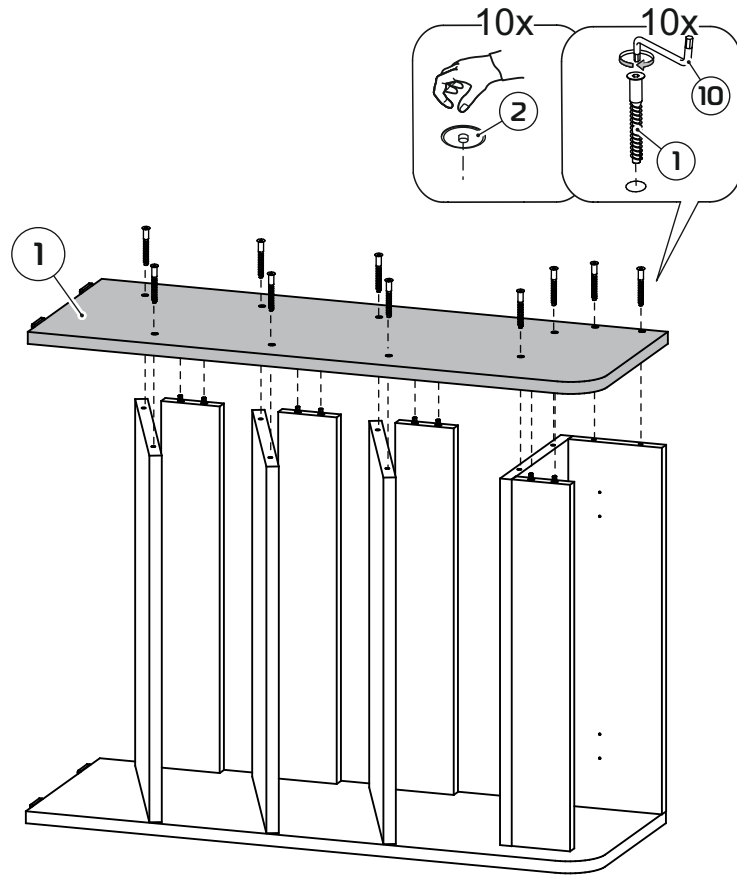
3



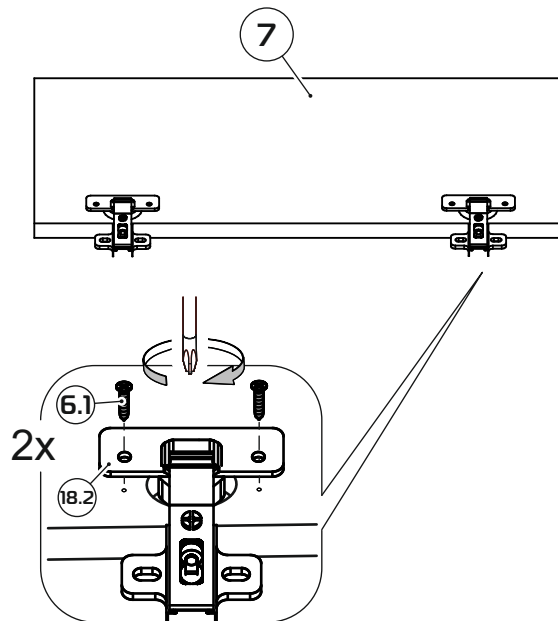
4



5



6



7

