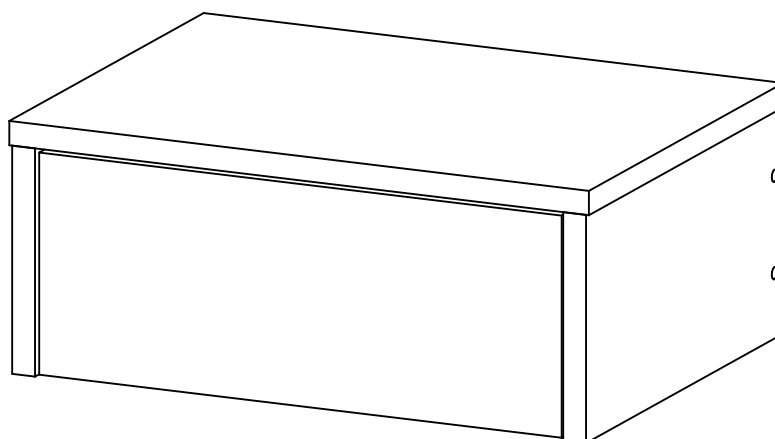


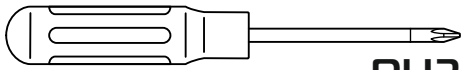
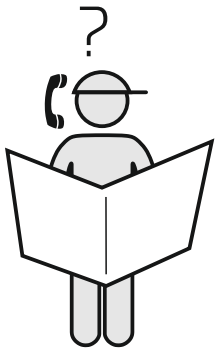
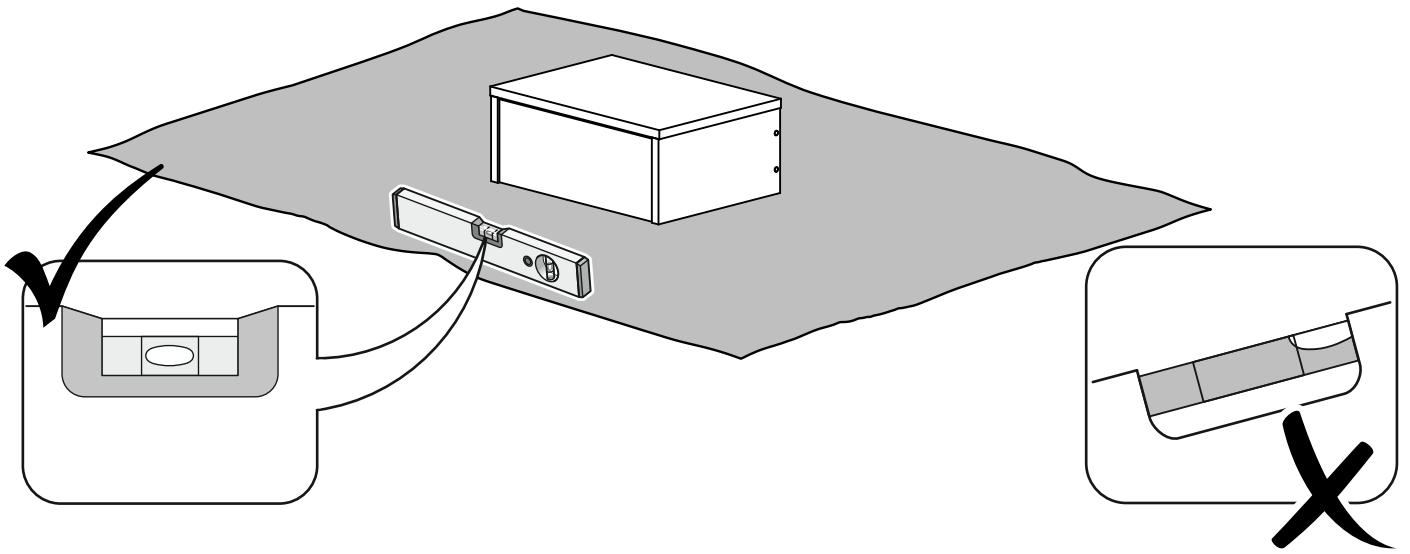
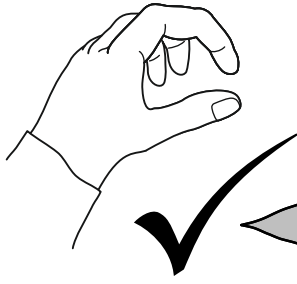
YHO-48

UNO-48

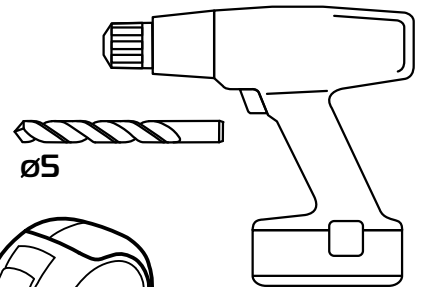
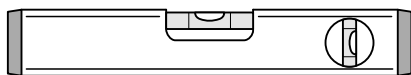
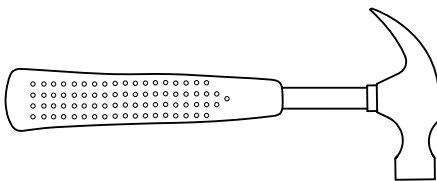




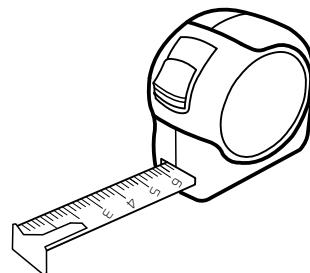
30-40 min

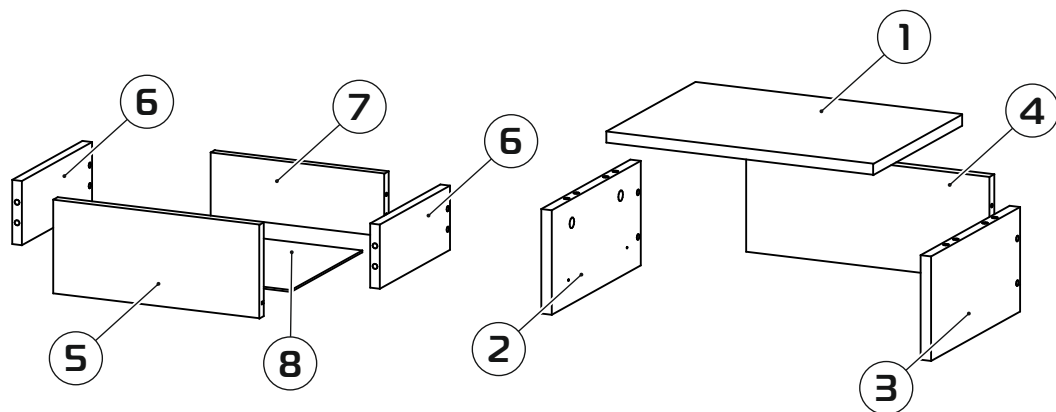


PH2



ø5





① 406x292x16 (x1)

⑤ 366x146x16 (x1)

② 150x292x16 (x1)

⑥ 250x100x16 (x2)

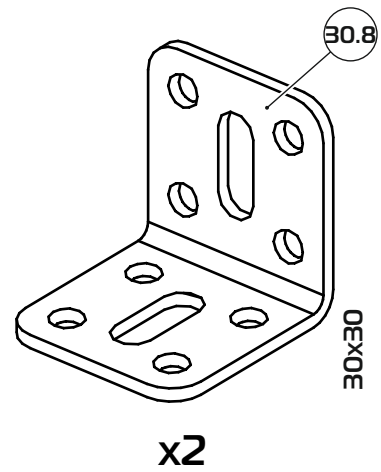
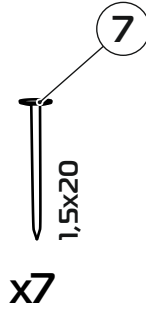
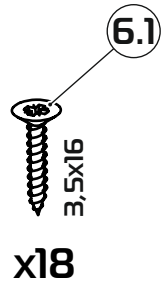
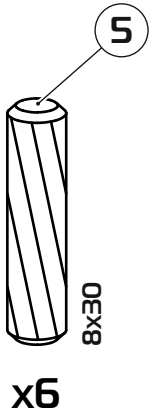
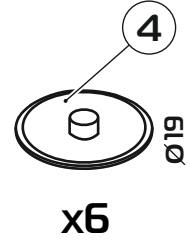
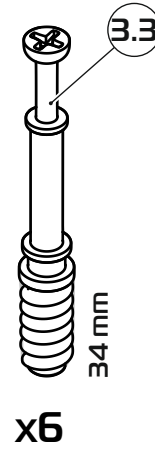
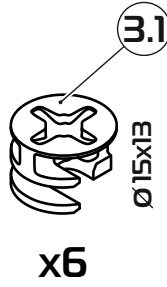
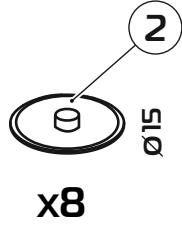
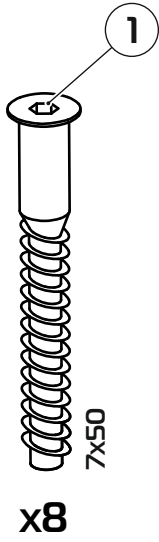
③ 150x292x16 (x1)

⑦ 312x100x16 (x1)

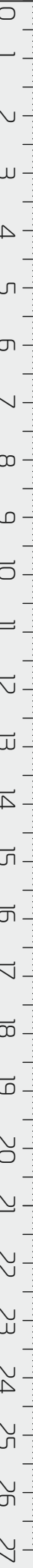
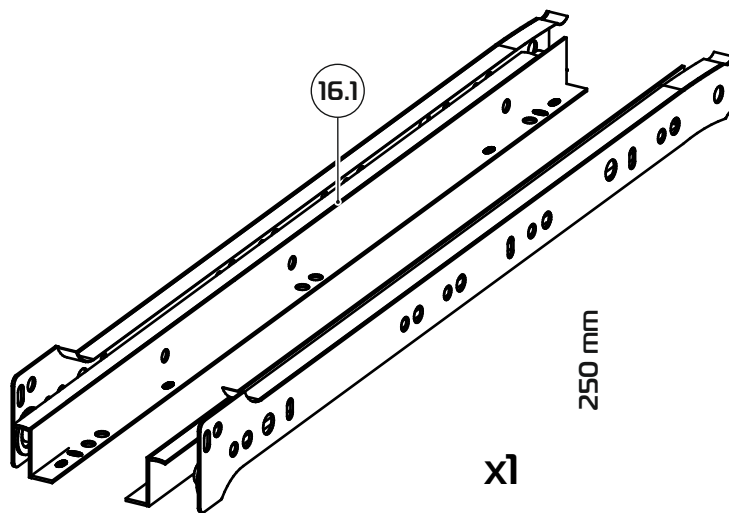
④ 150x370x16 (x1)

⑧ 340x254x3 (x1)

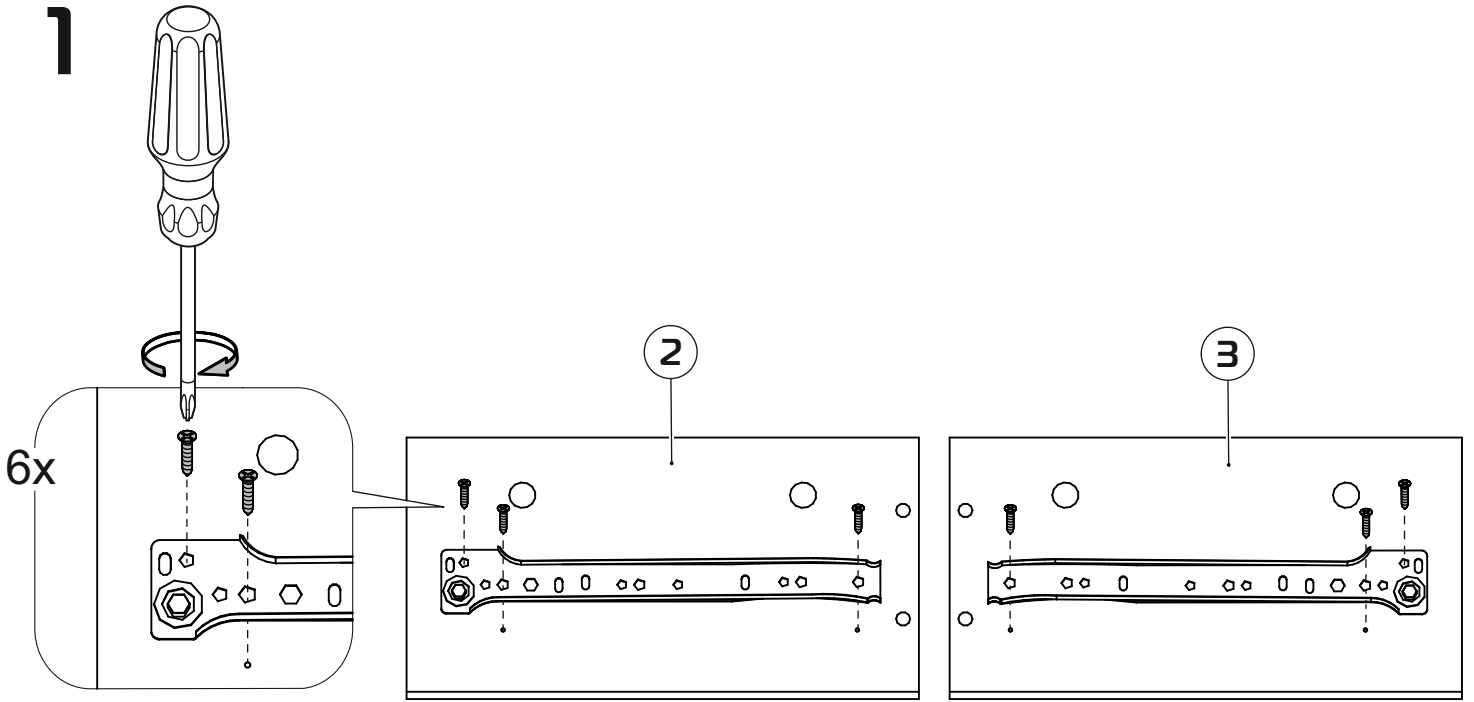
1:1



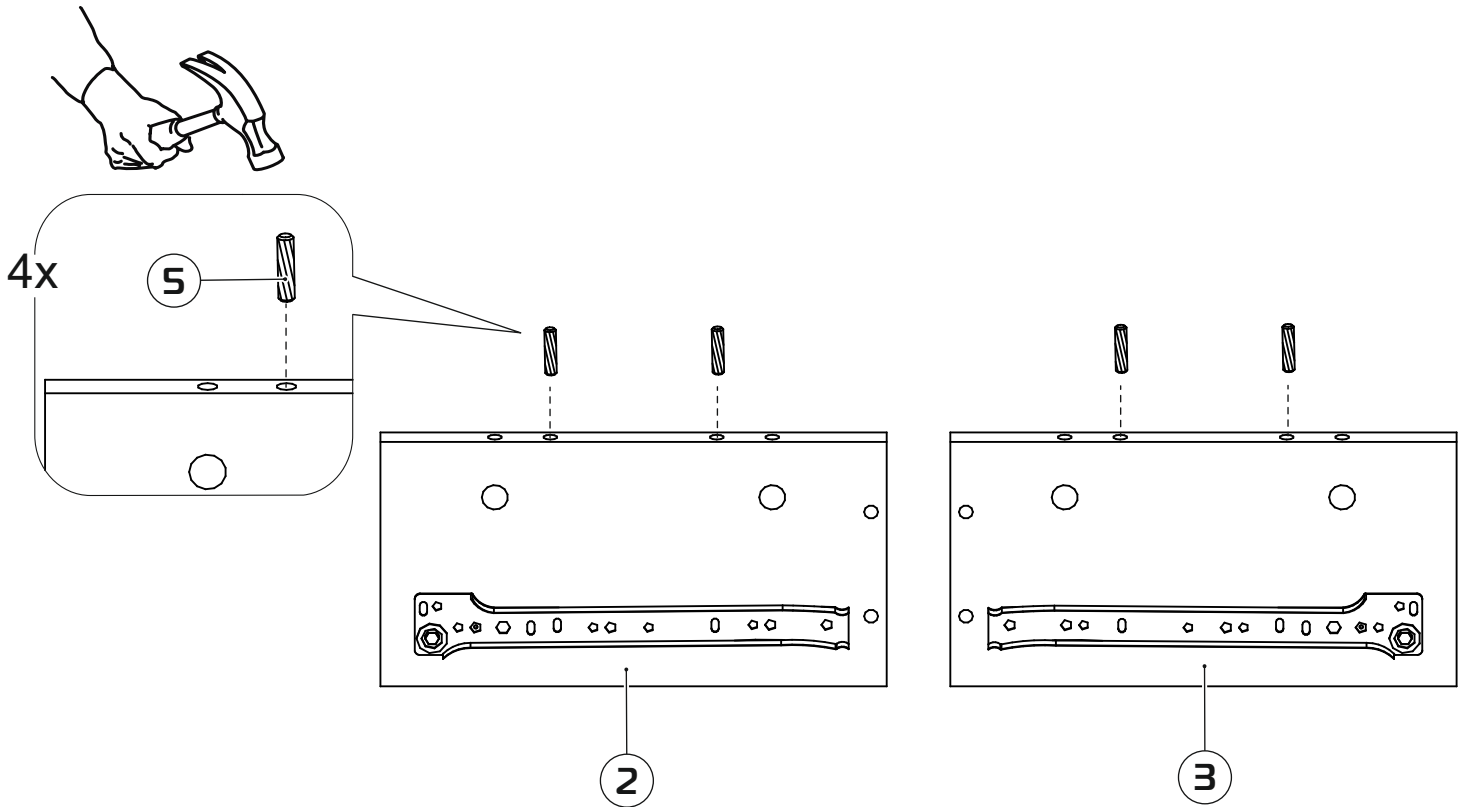
1:2



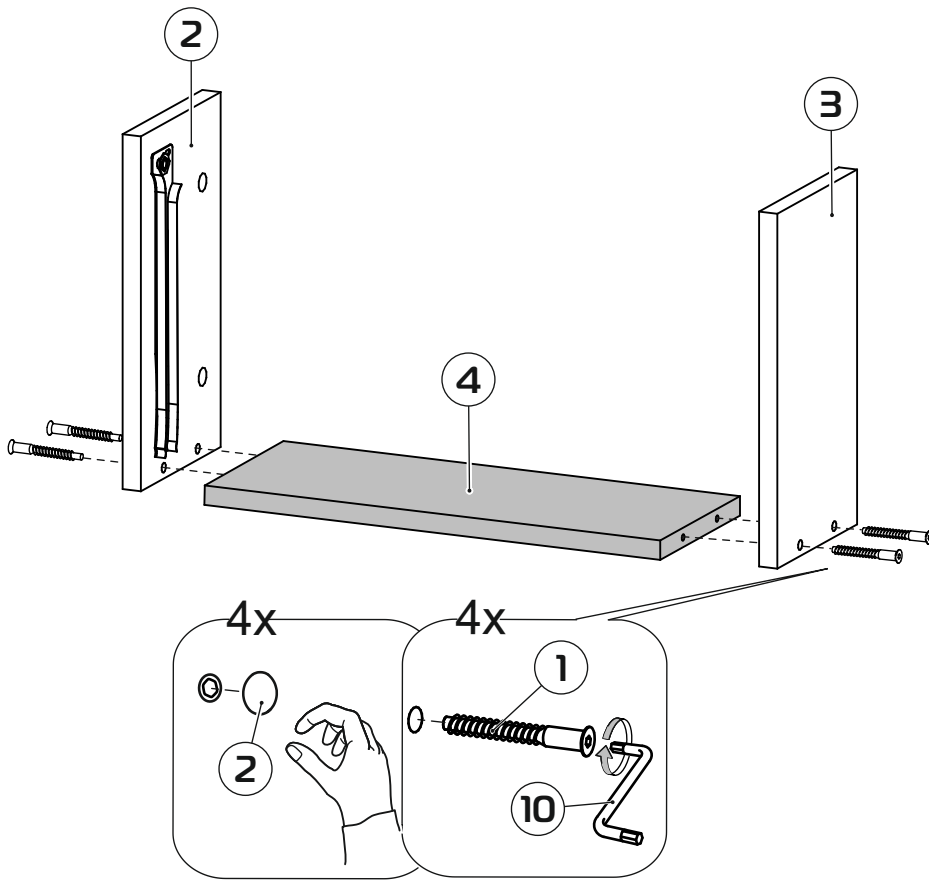
1



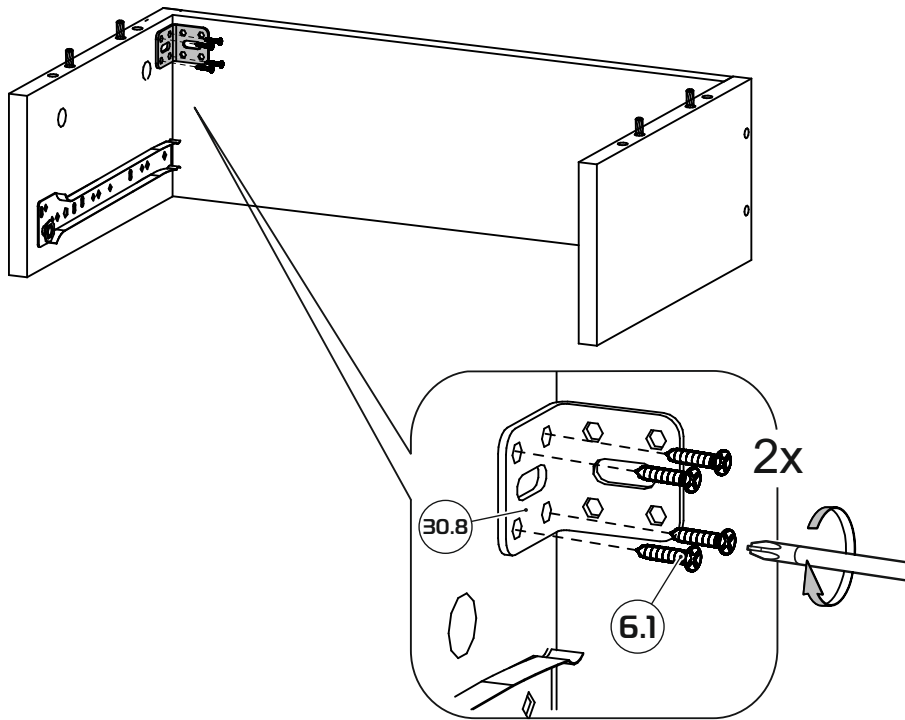
2



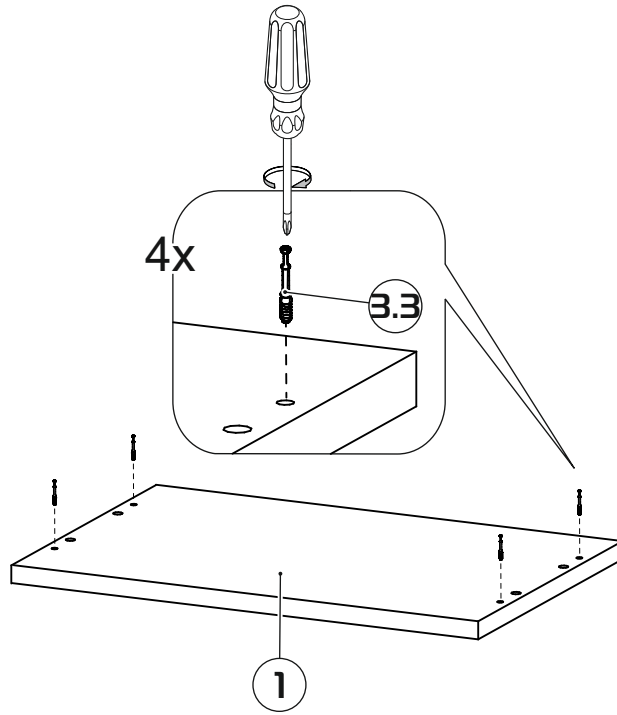
3



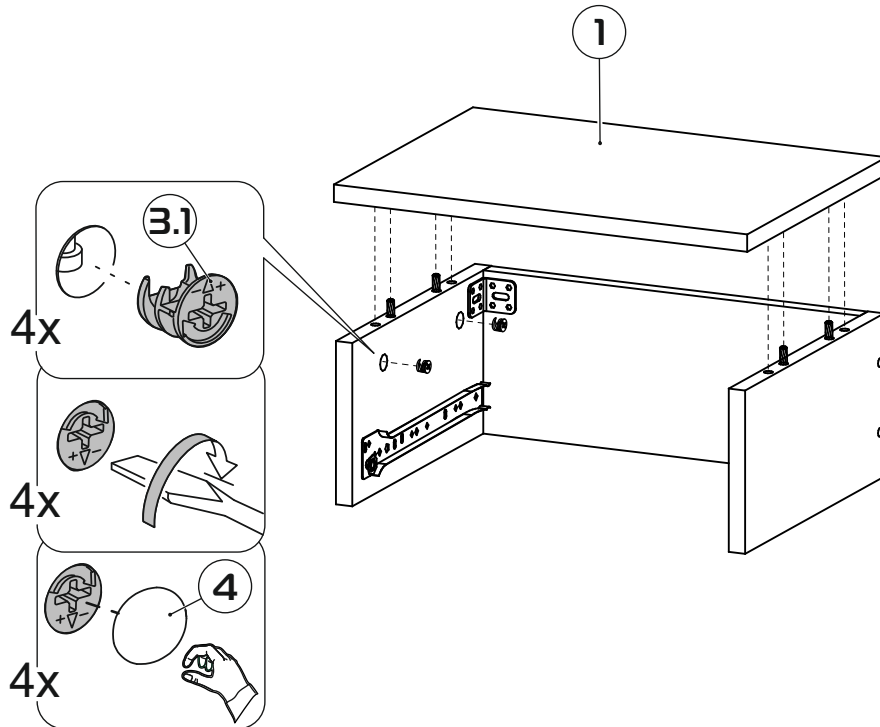
4



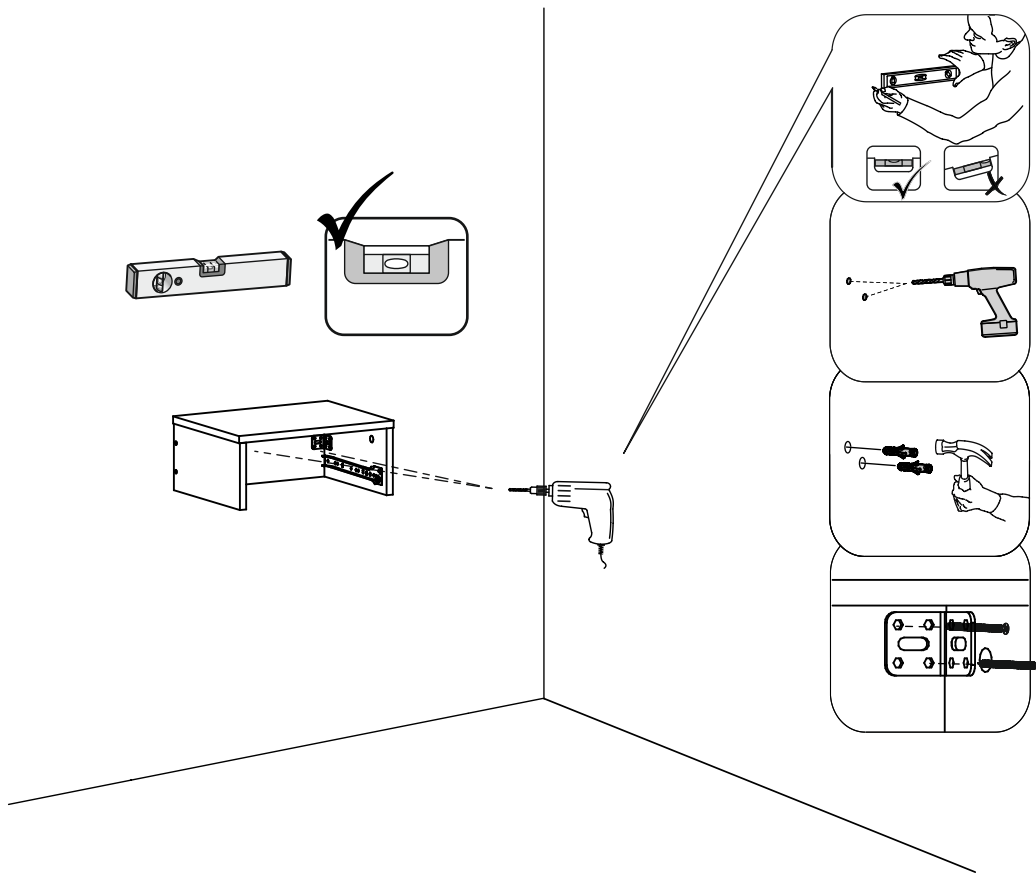
5



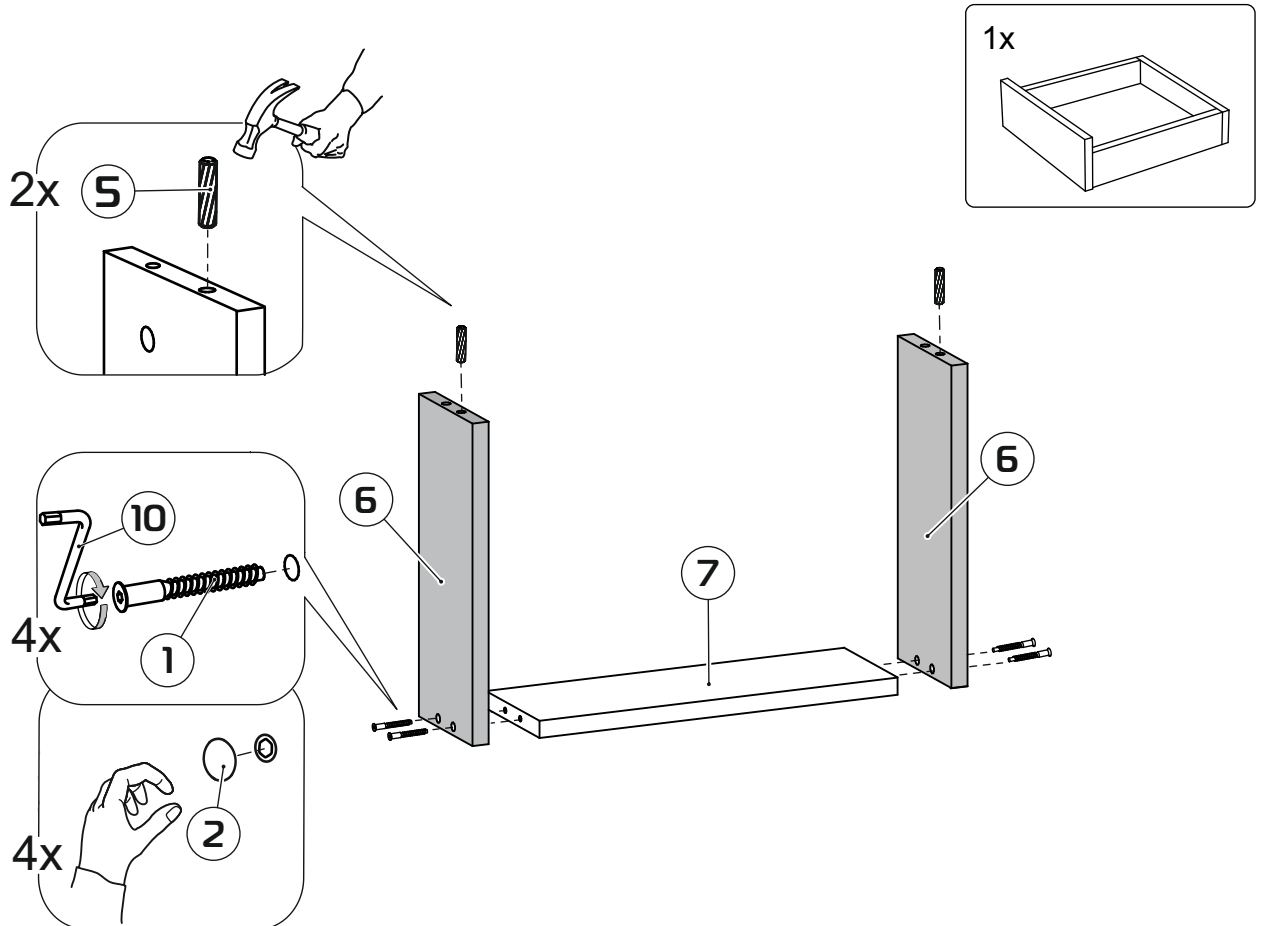
6



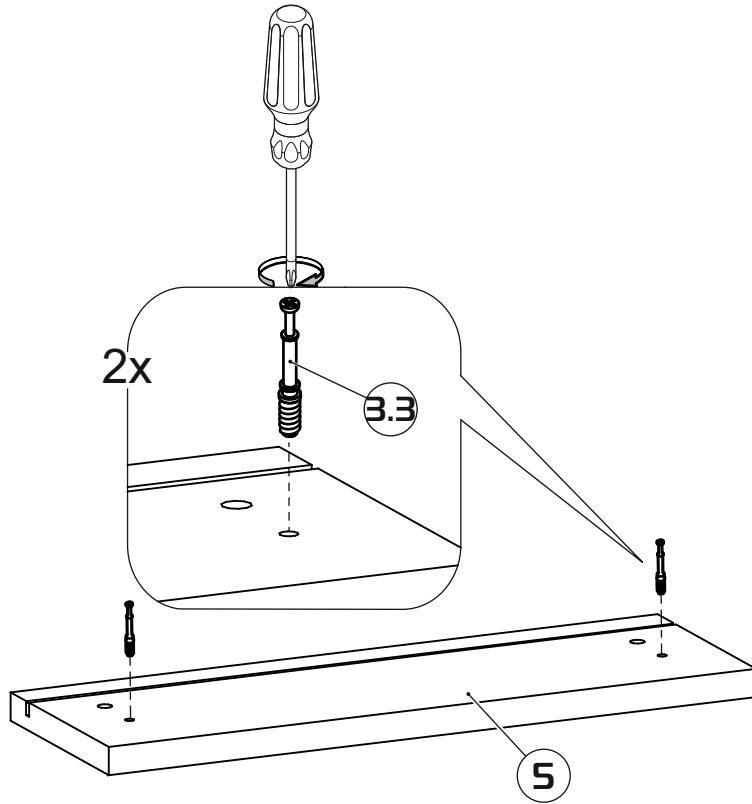
7



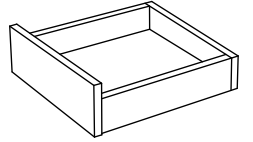
8



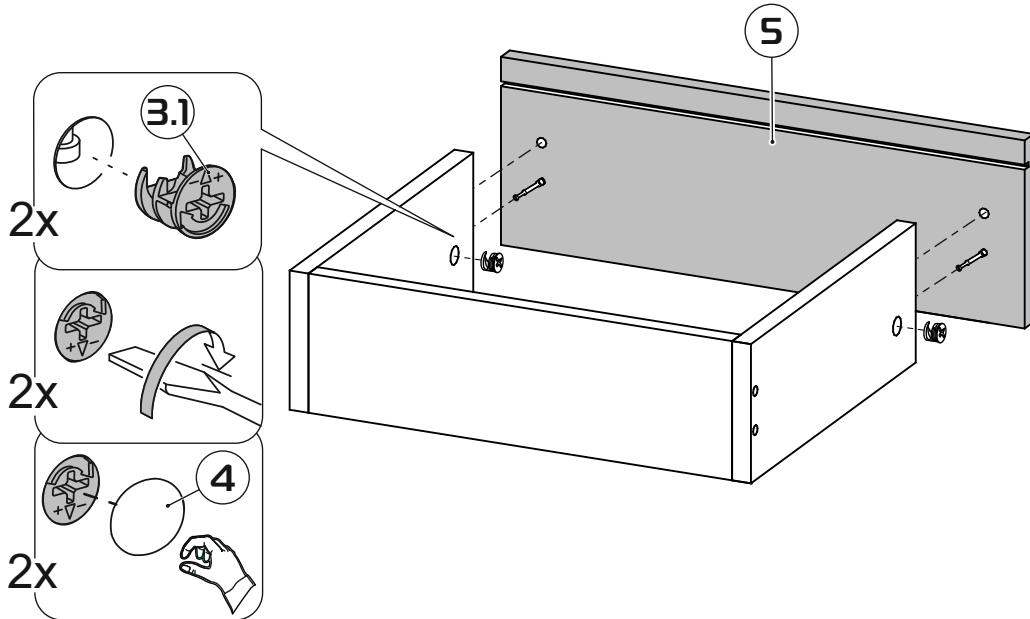
9



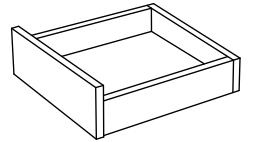
1x



10



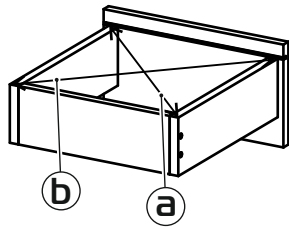
1x



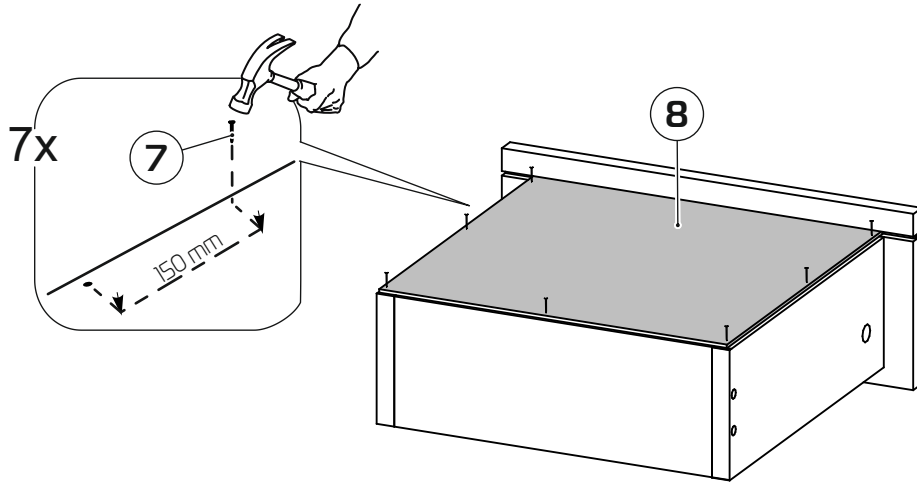
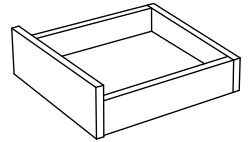
11



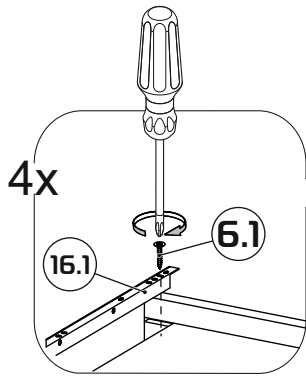
(A=B)



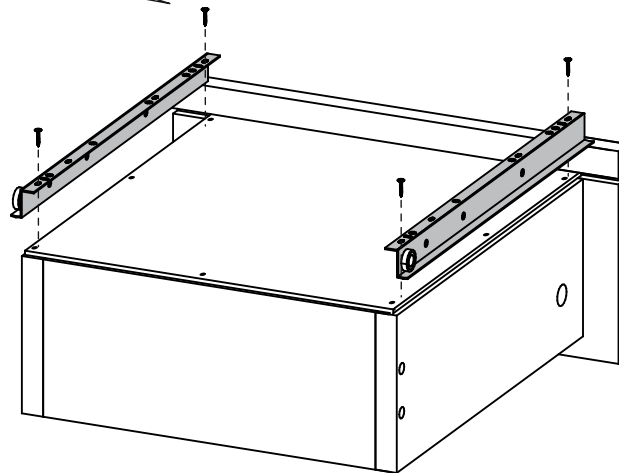
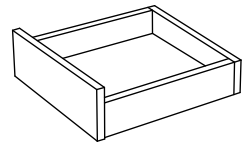
1x



12



1x



13

