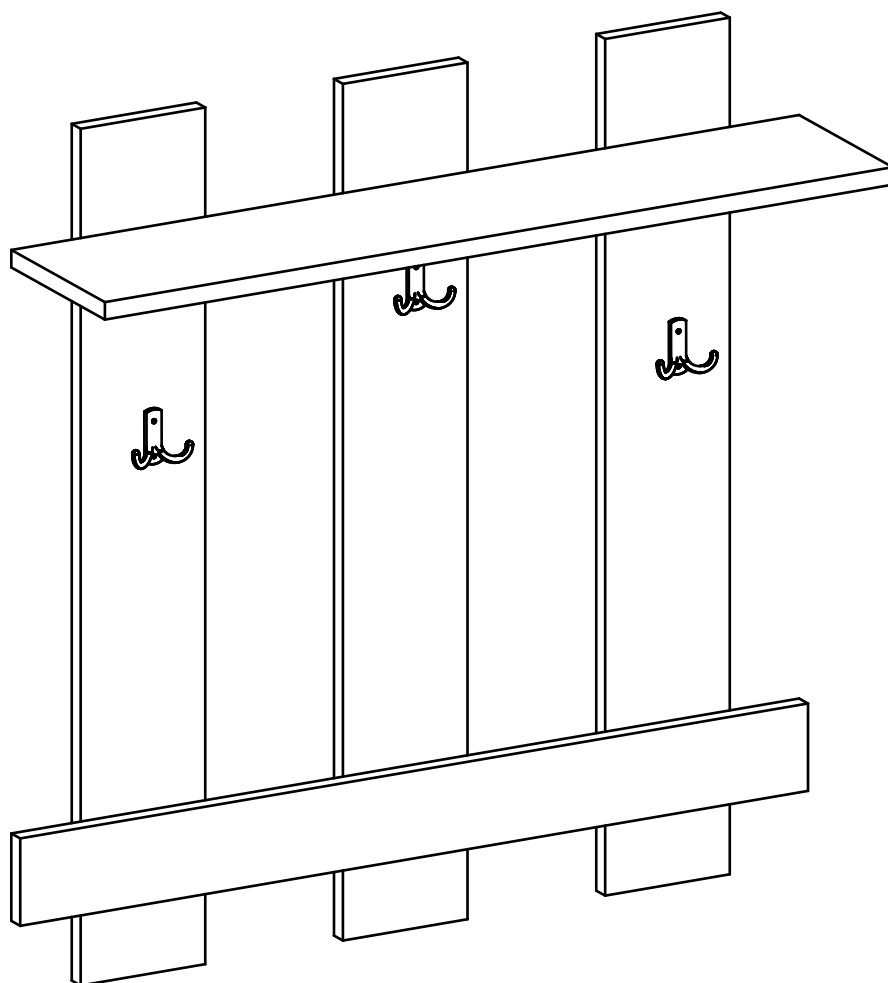


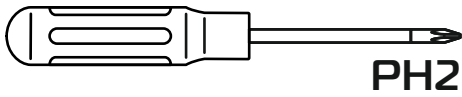
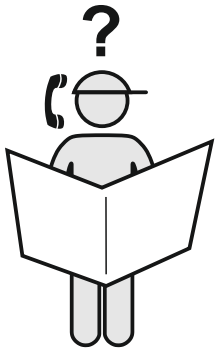
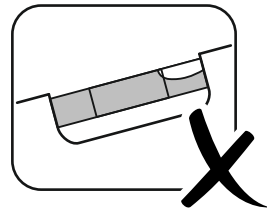
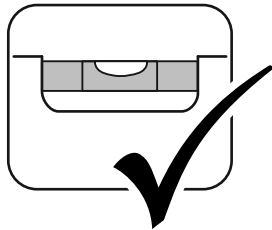
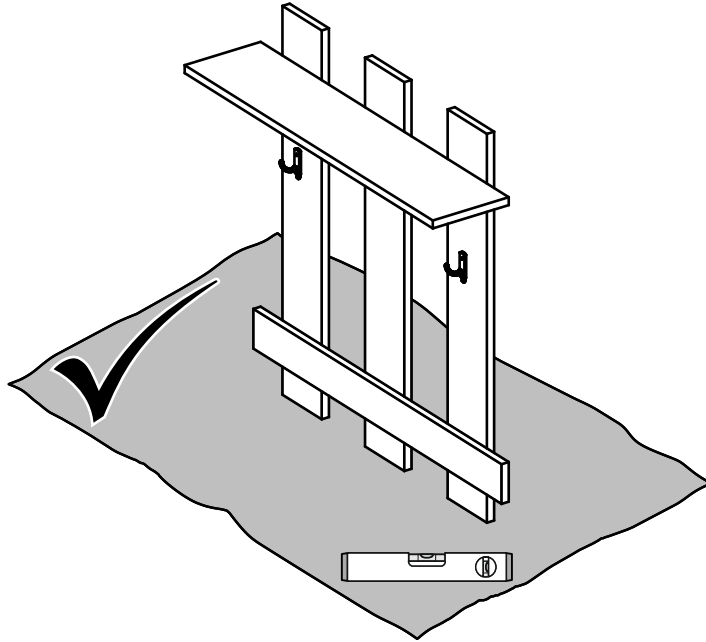
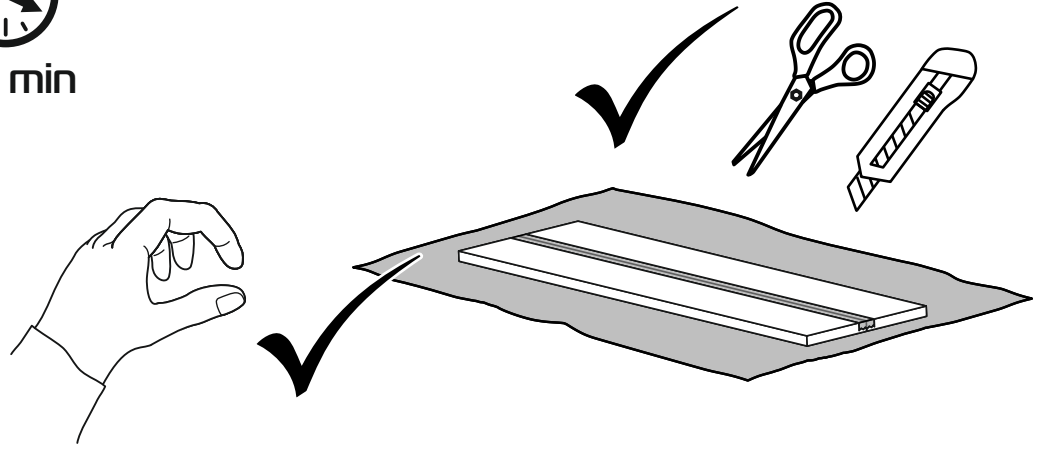
# YHO-65

# UNO-65

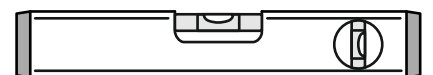
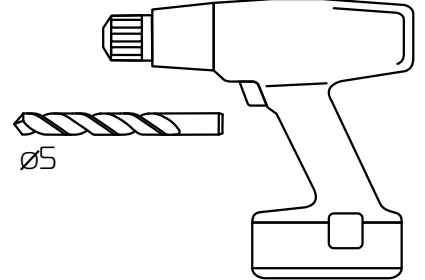
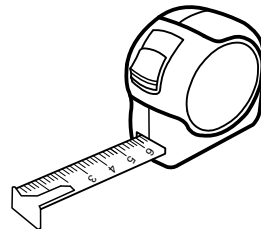
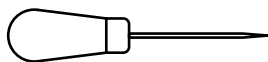
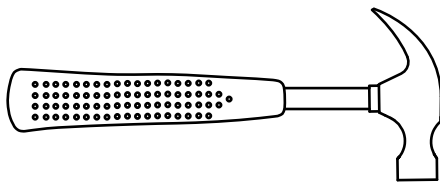


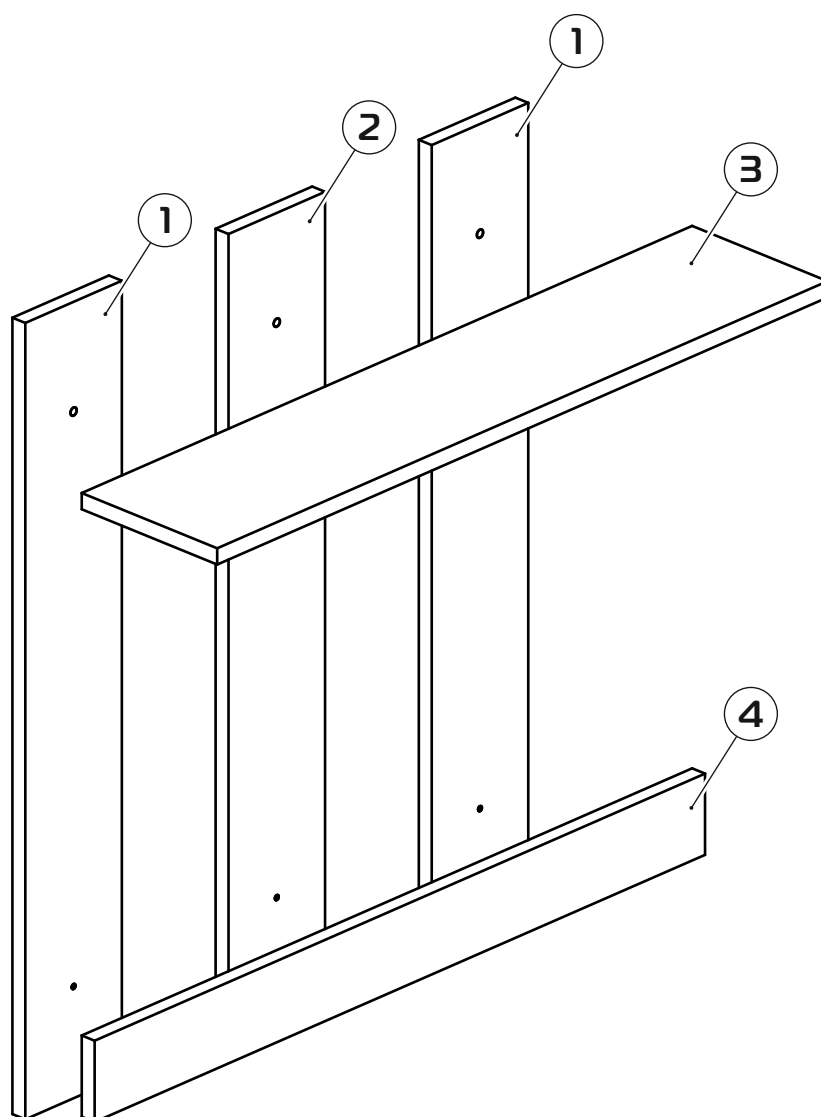


30 min



PH2





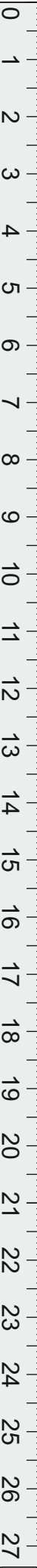
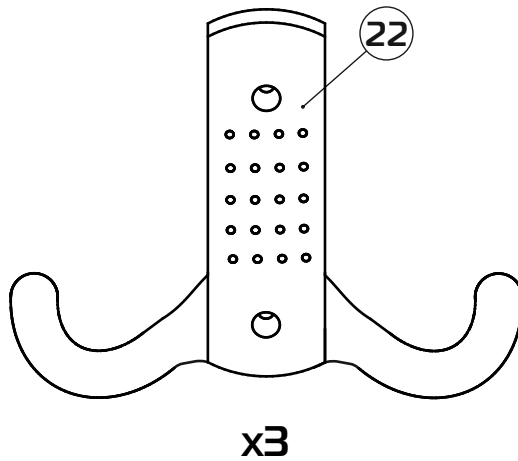
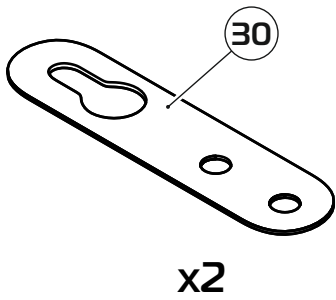
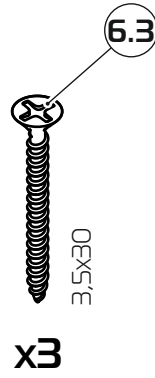
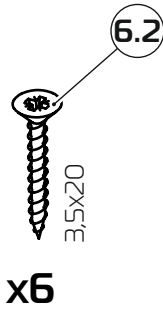
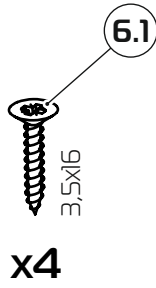
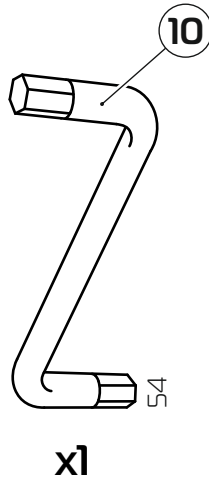
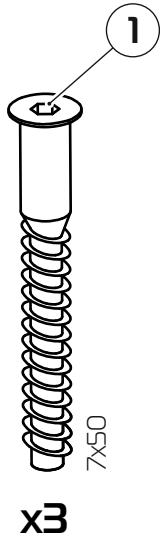
① 784x124x16 (x2)

② 784x124x16 (x1)

③ 784x168x16 (x1)

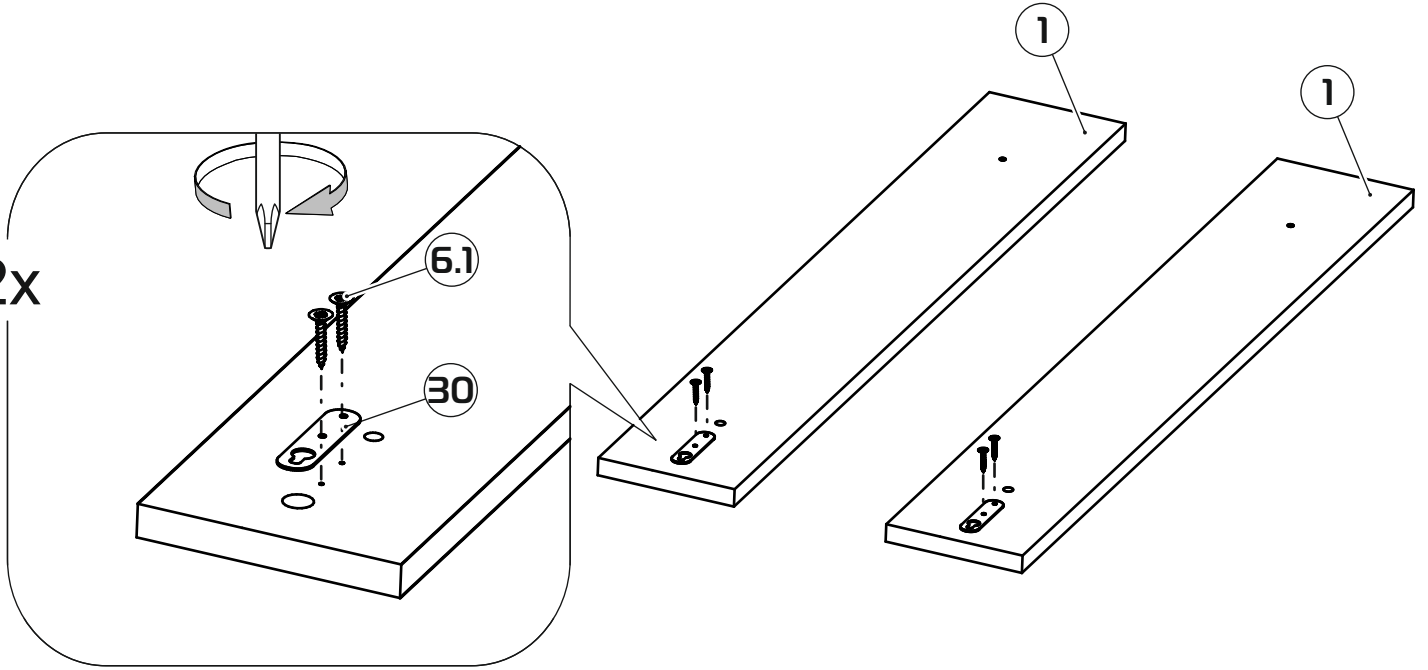
④ 784x80x16 (x1)

1:1



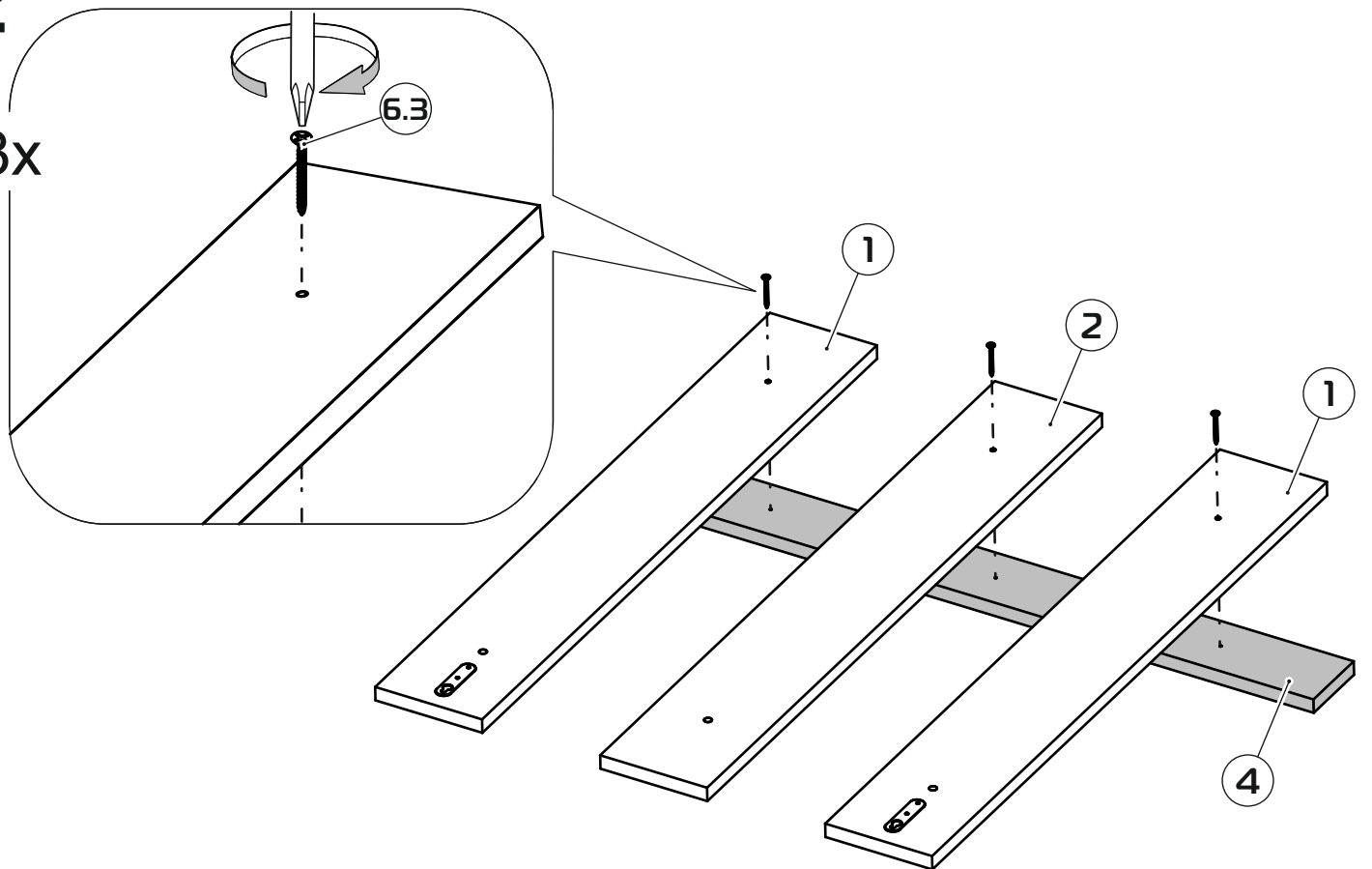
1

2x

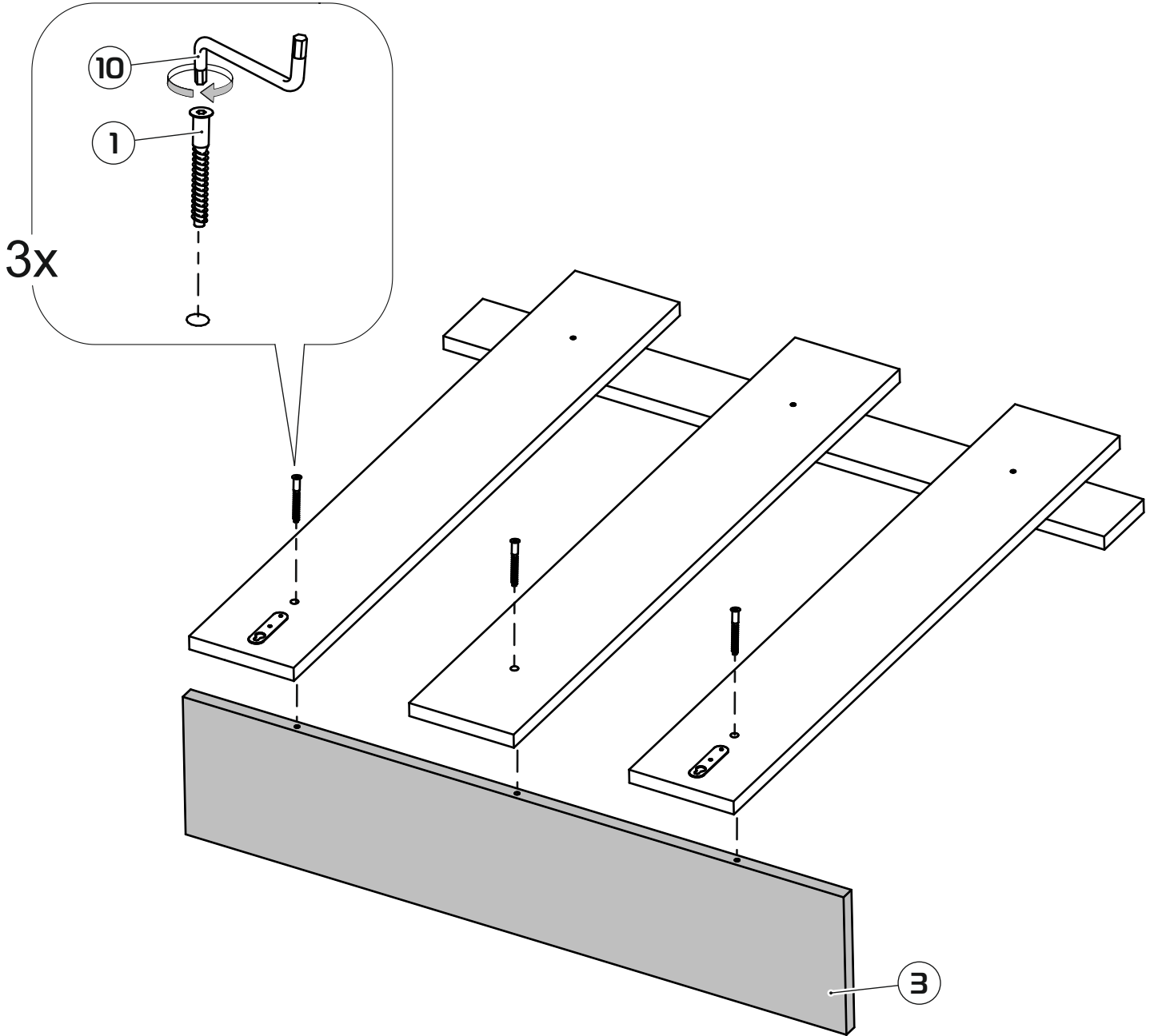


2

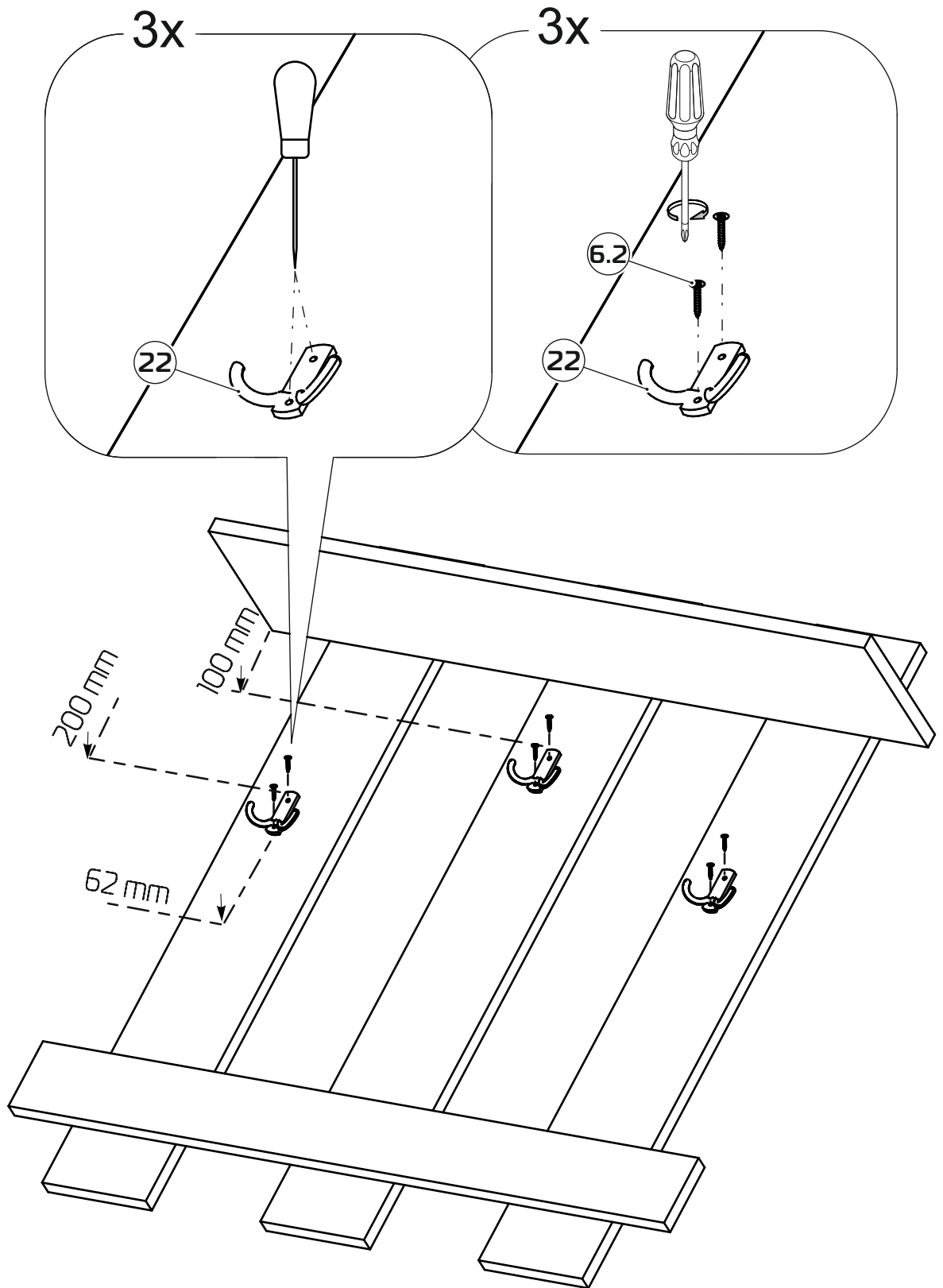
3x



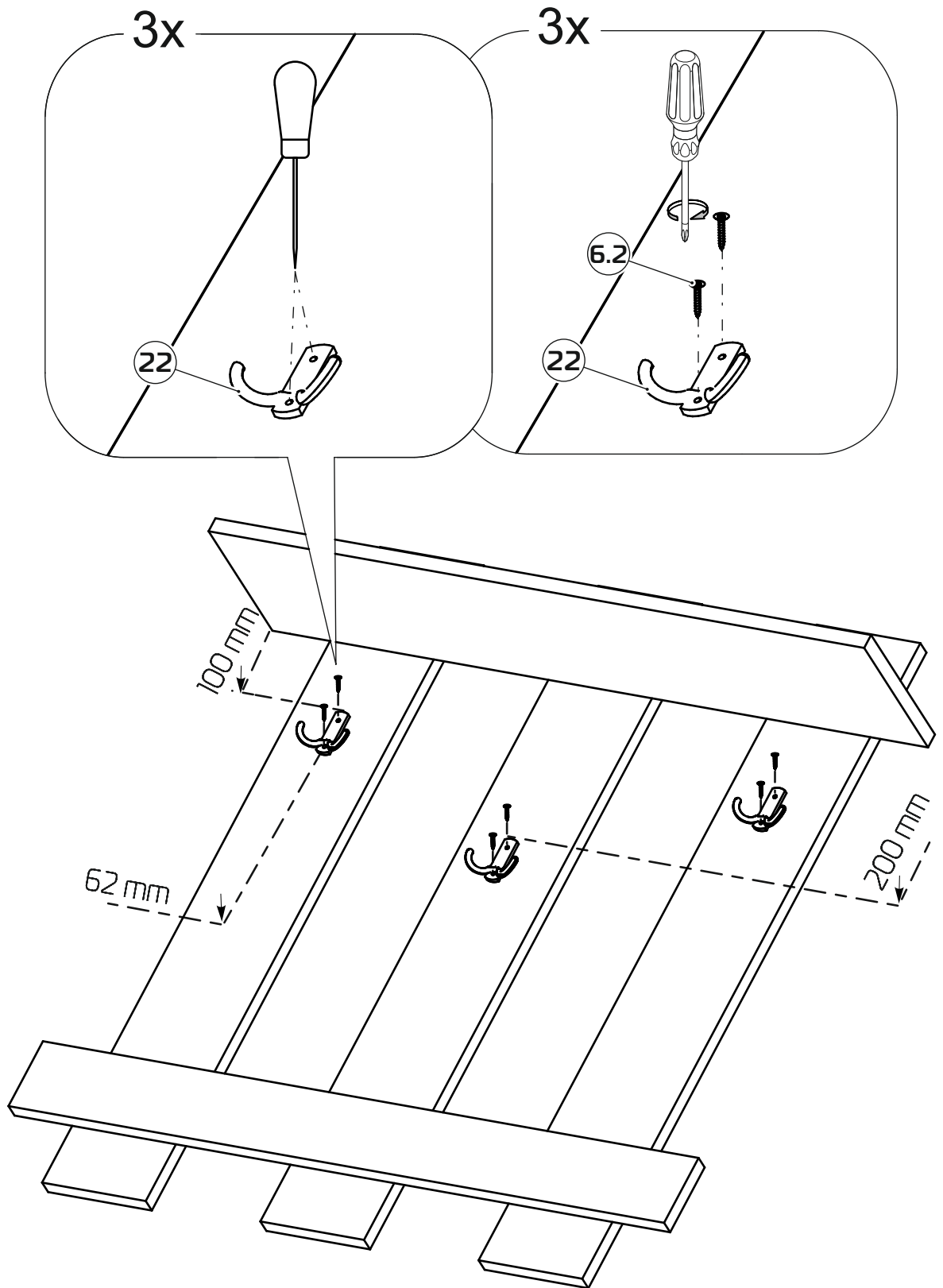
3



# 4-1

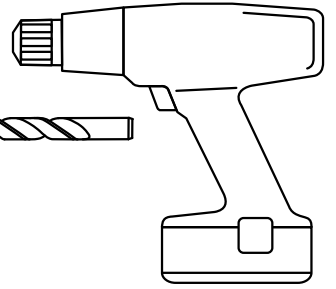
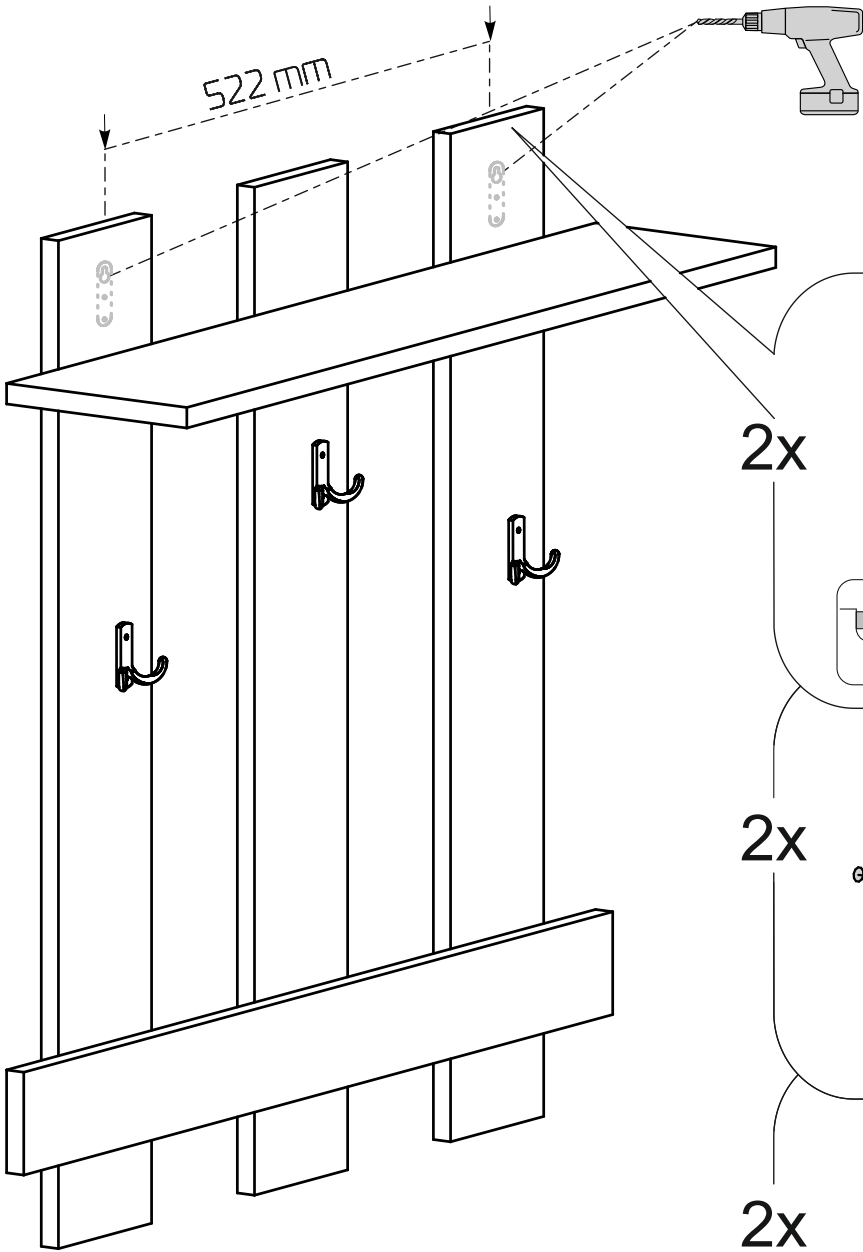


# 4-2



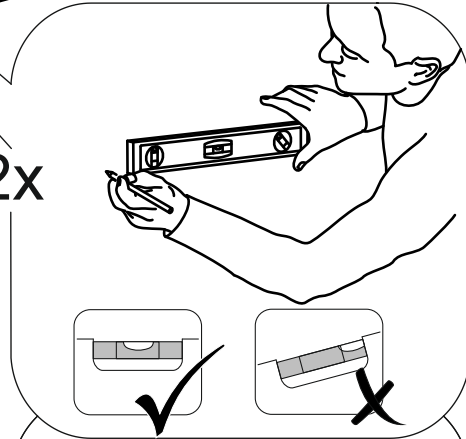


5

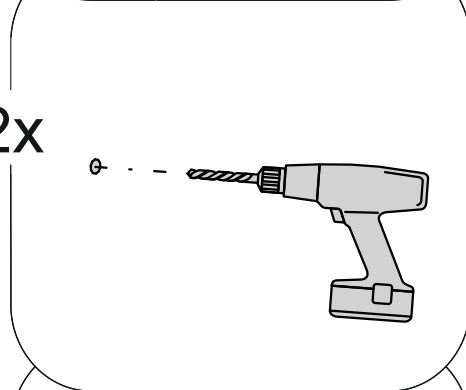


Ø5

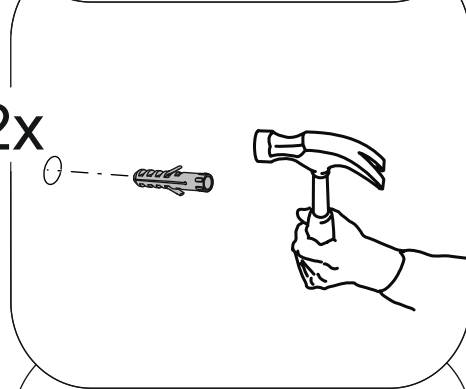
2x



2x



2x



2x

