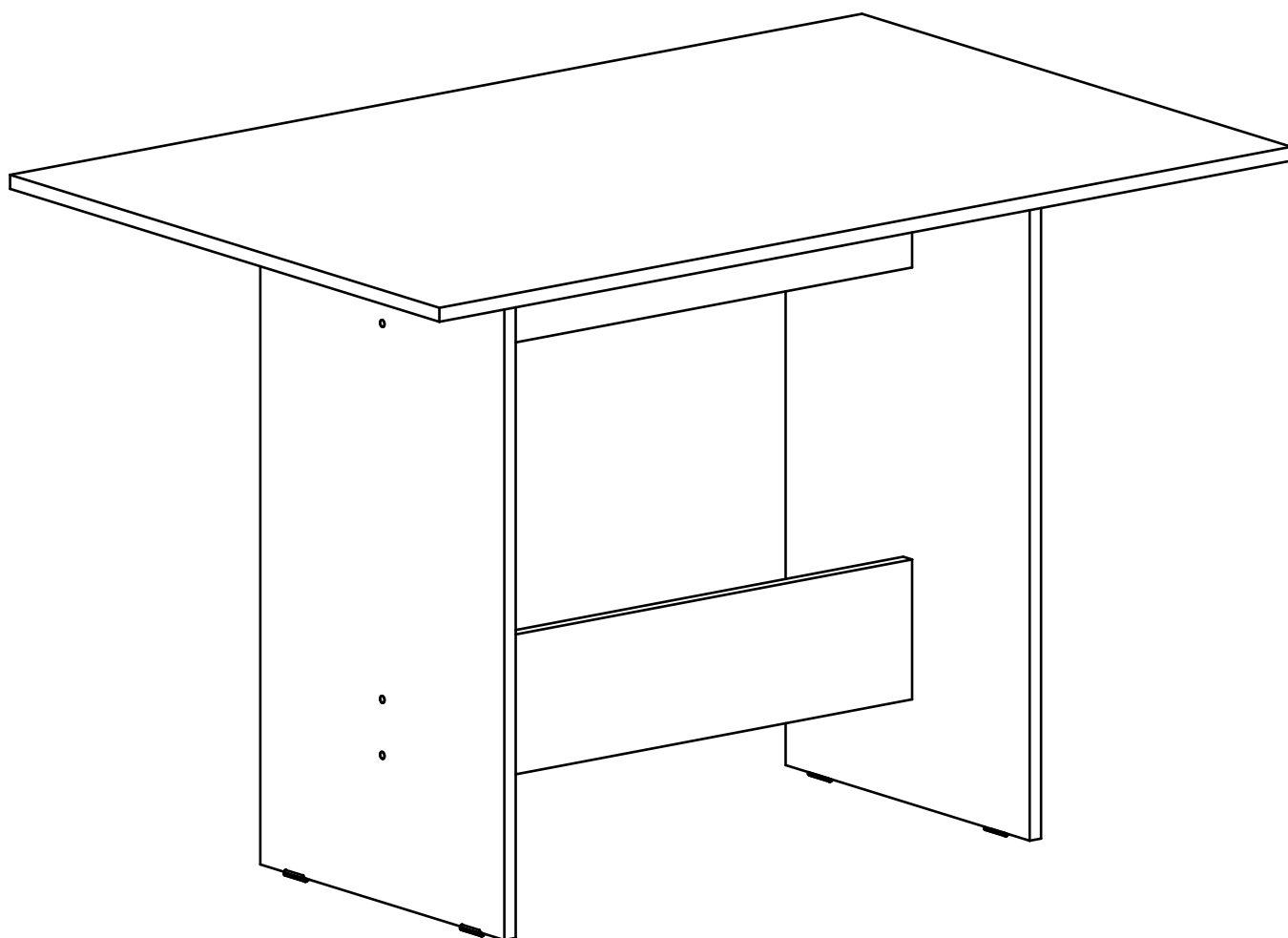


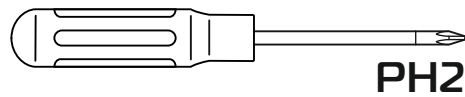
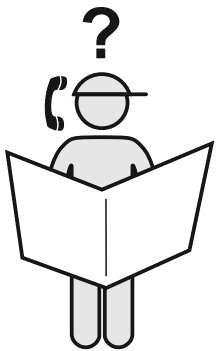
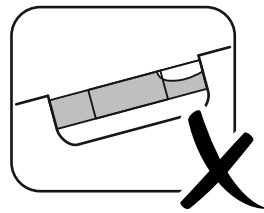
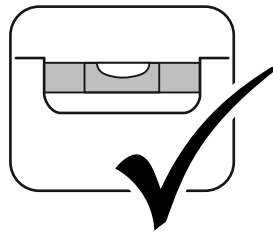
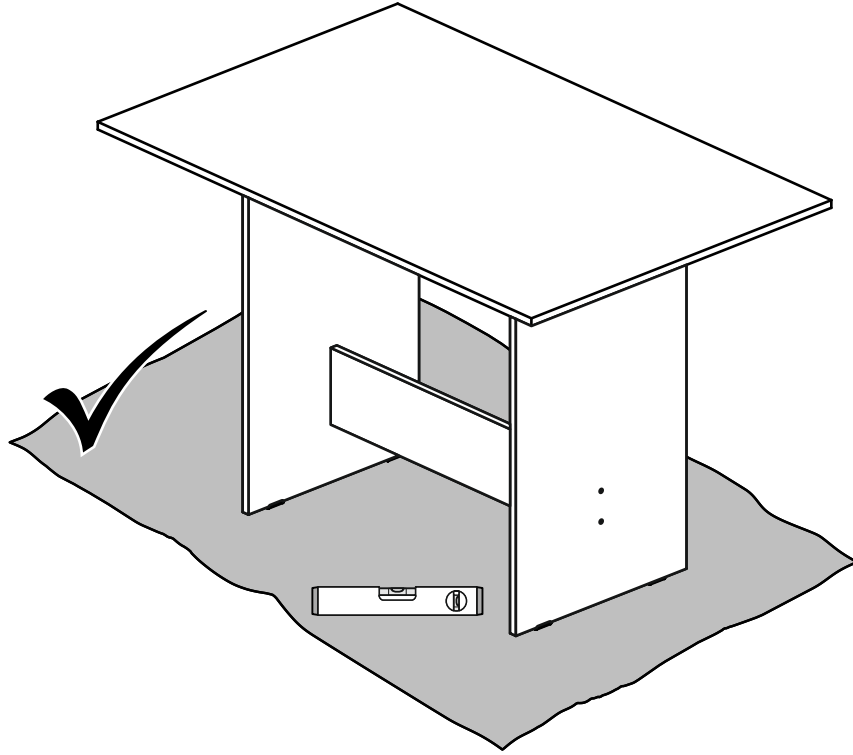
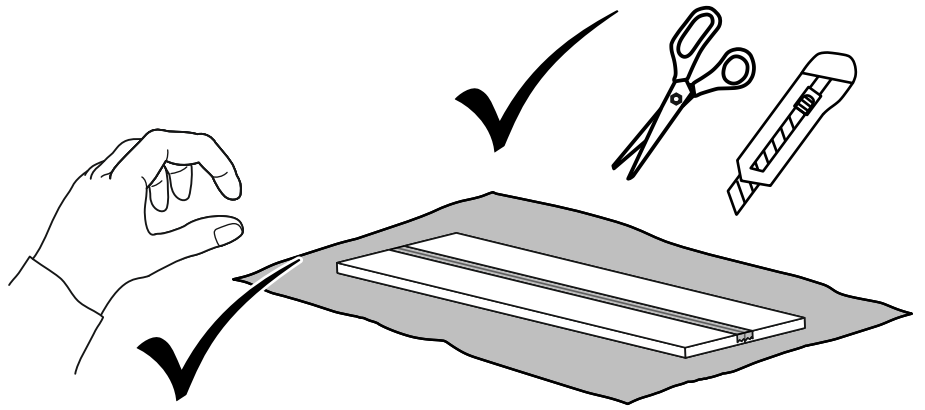
YHO-3

UNO-3

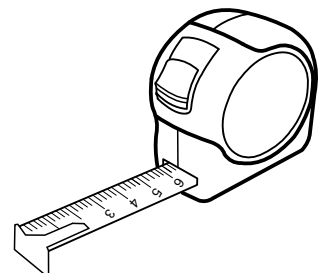
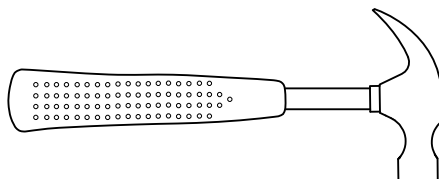
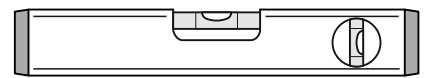


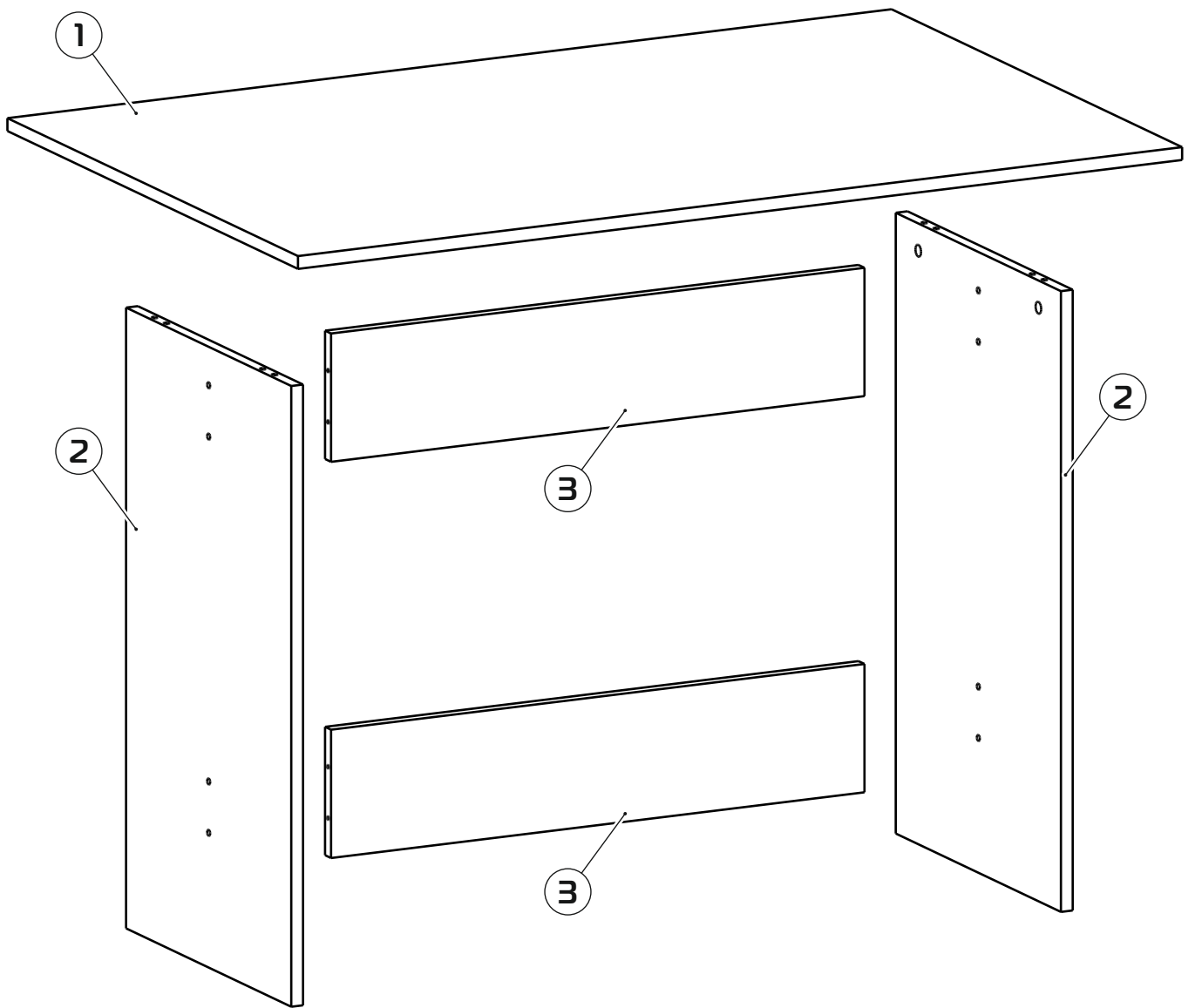


30-40 min



PH2



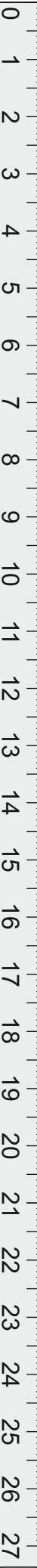
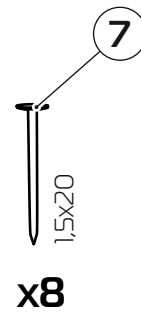
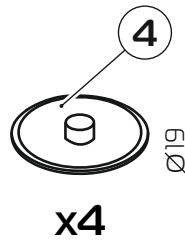
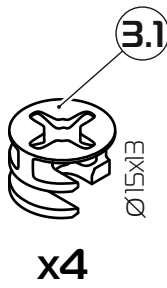
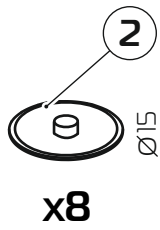
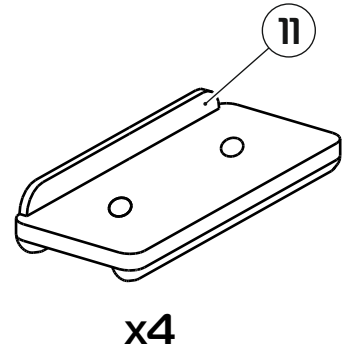
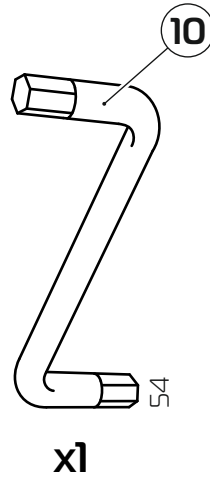
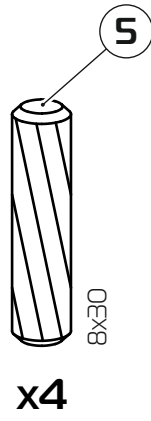
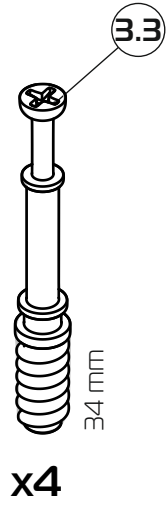
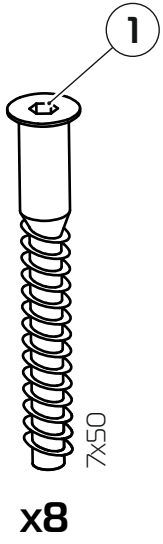


① 1172x774x16 (x1)

② 436x774x16 (x2)

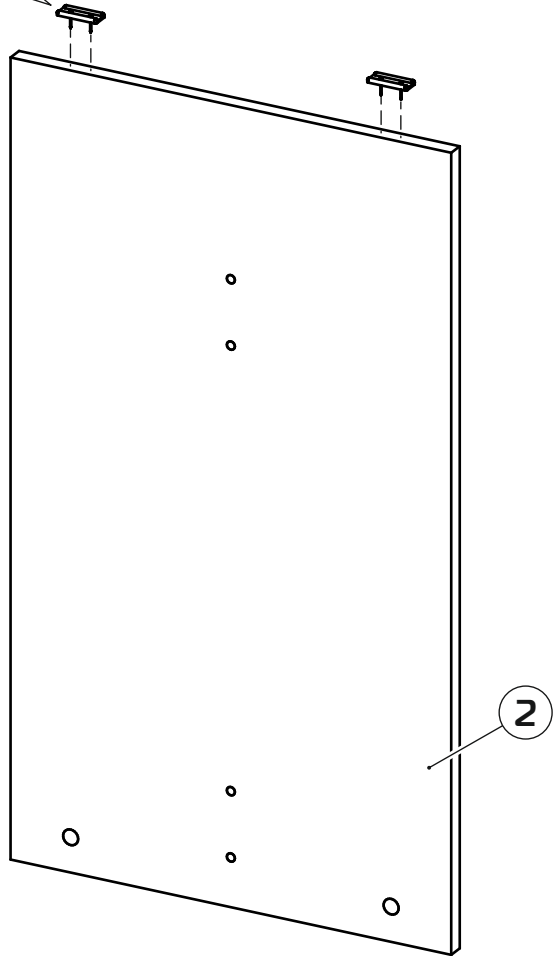
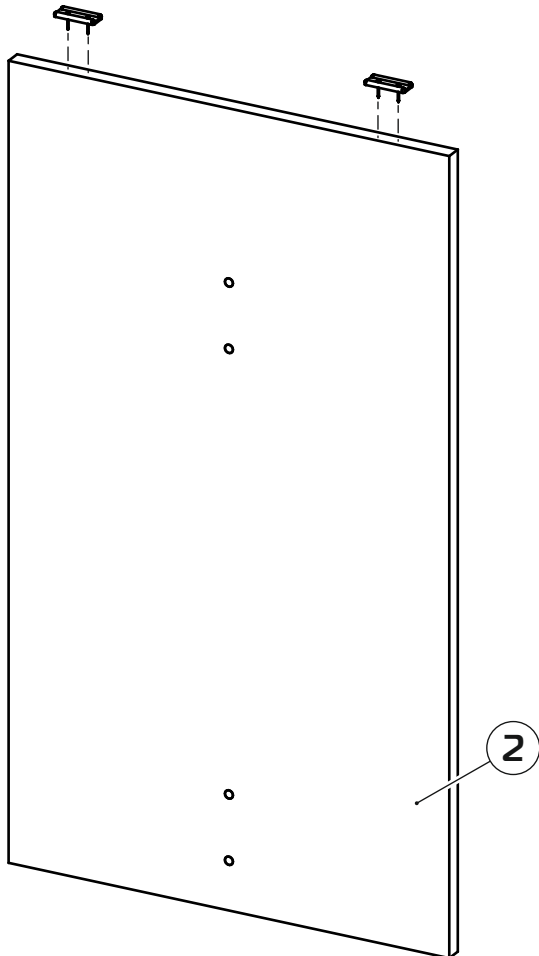
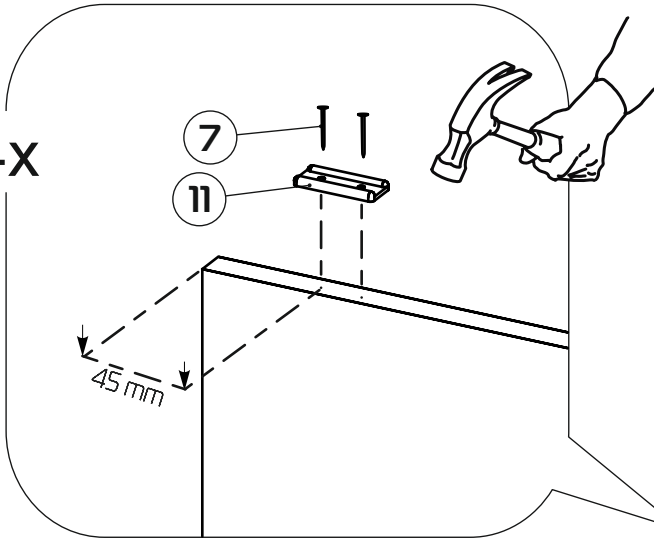
③ 724x150x16 (x2)

1:1

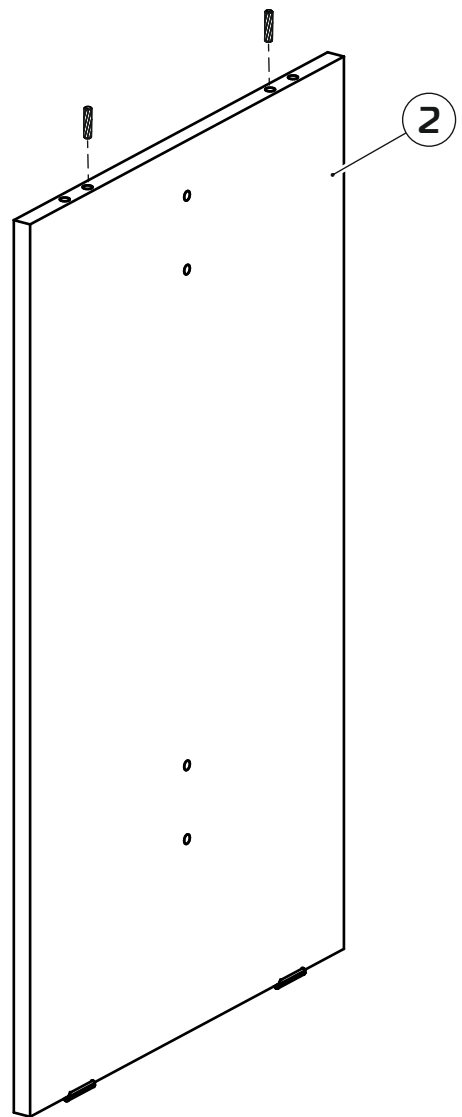
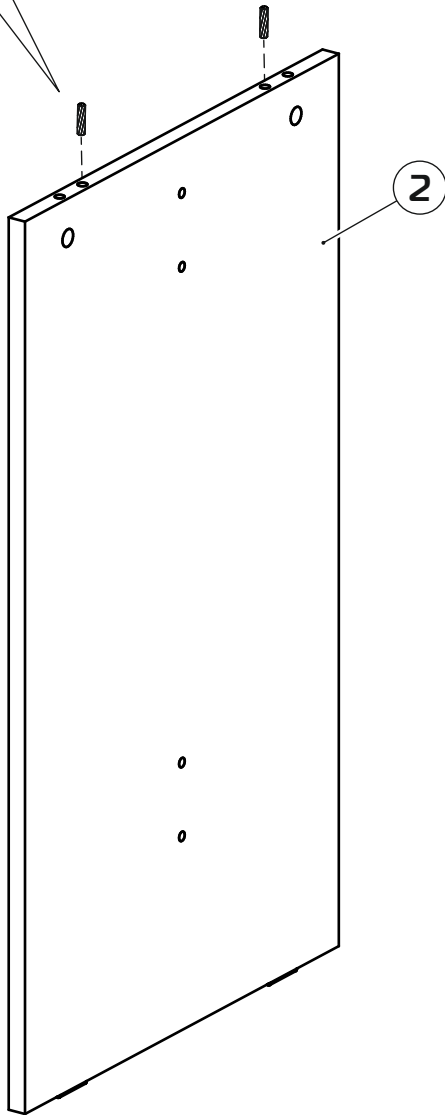
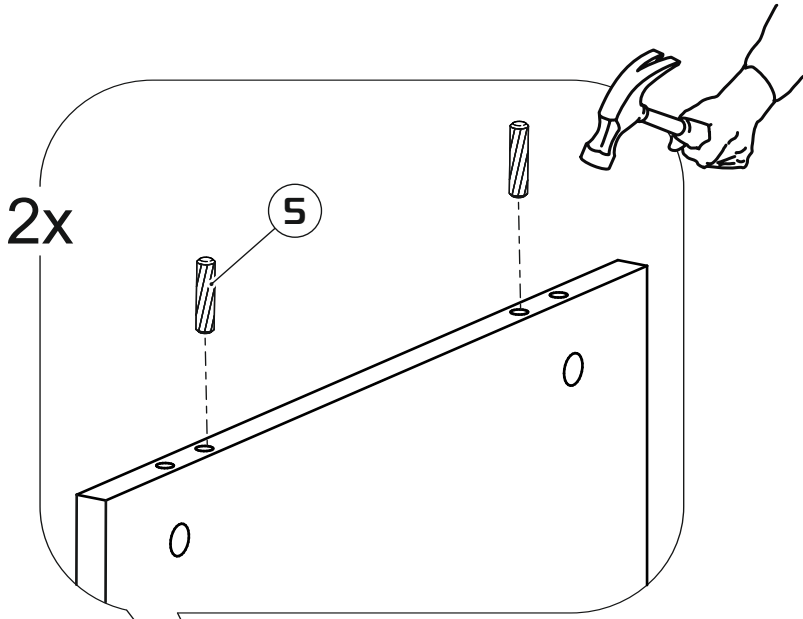


1

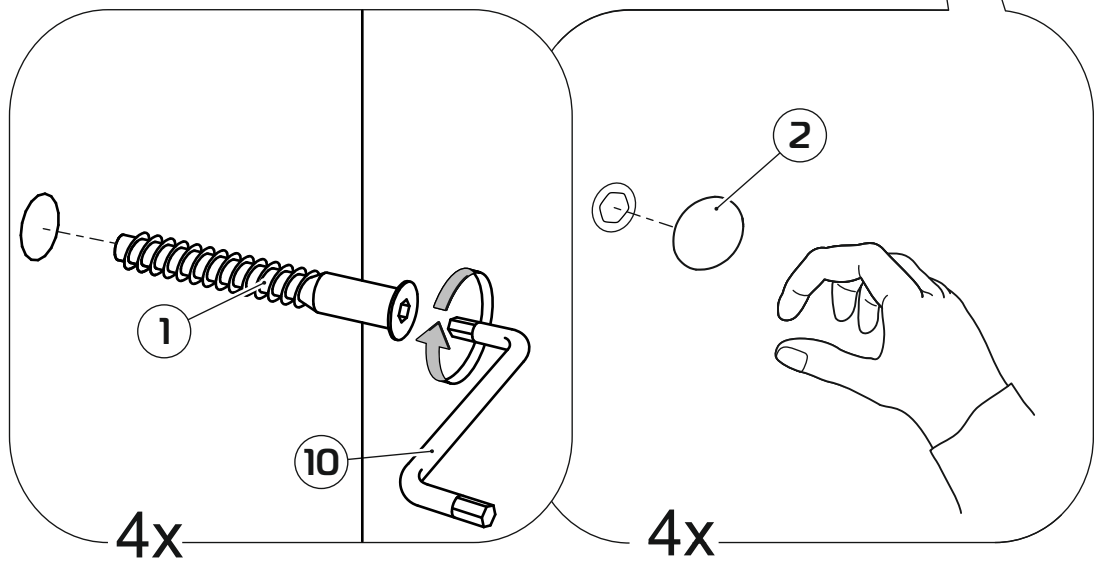
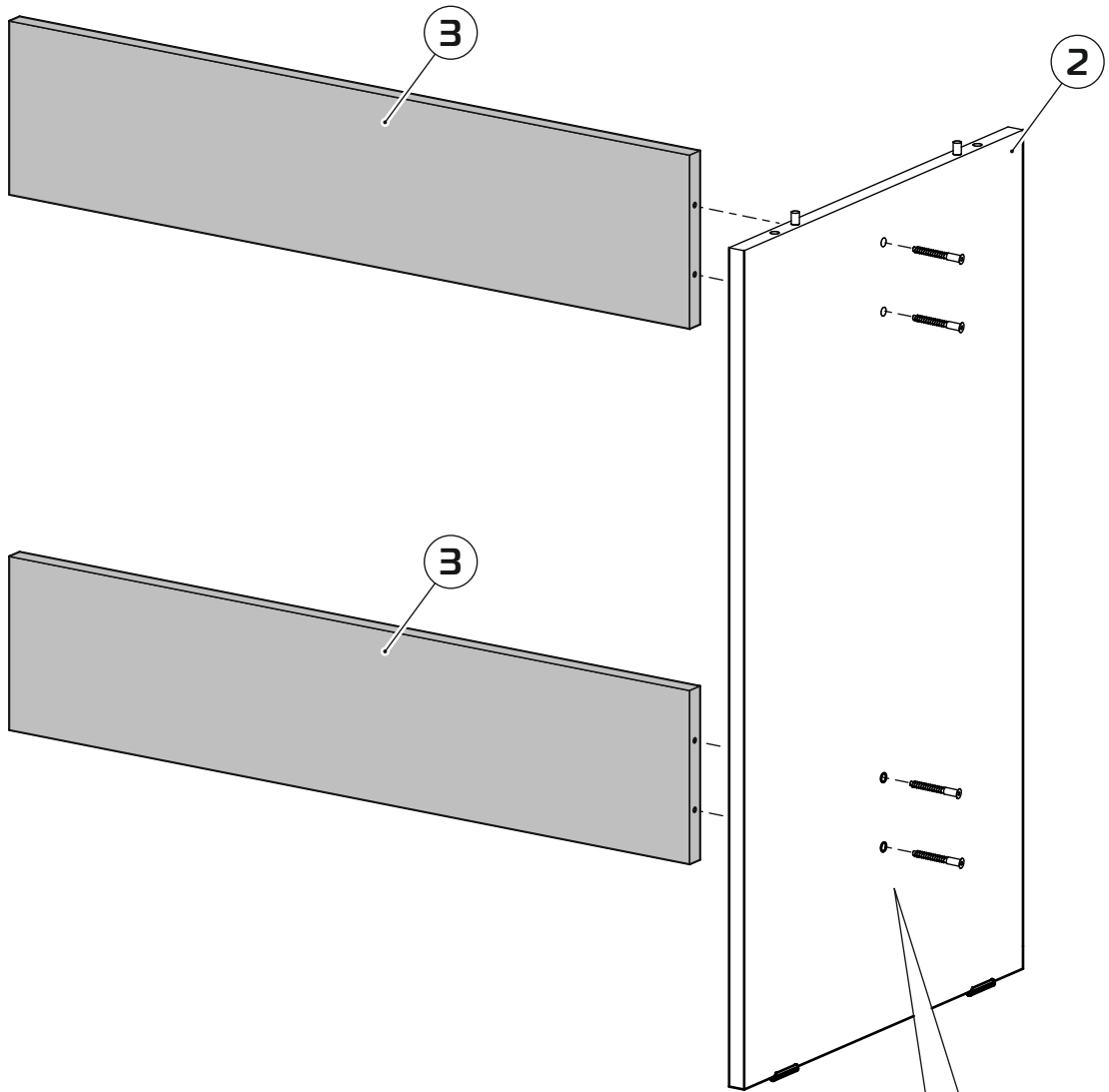
4x



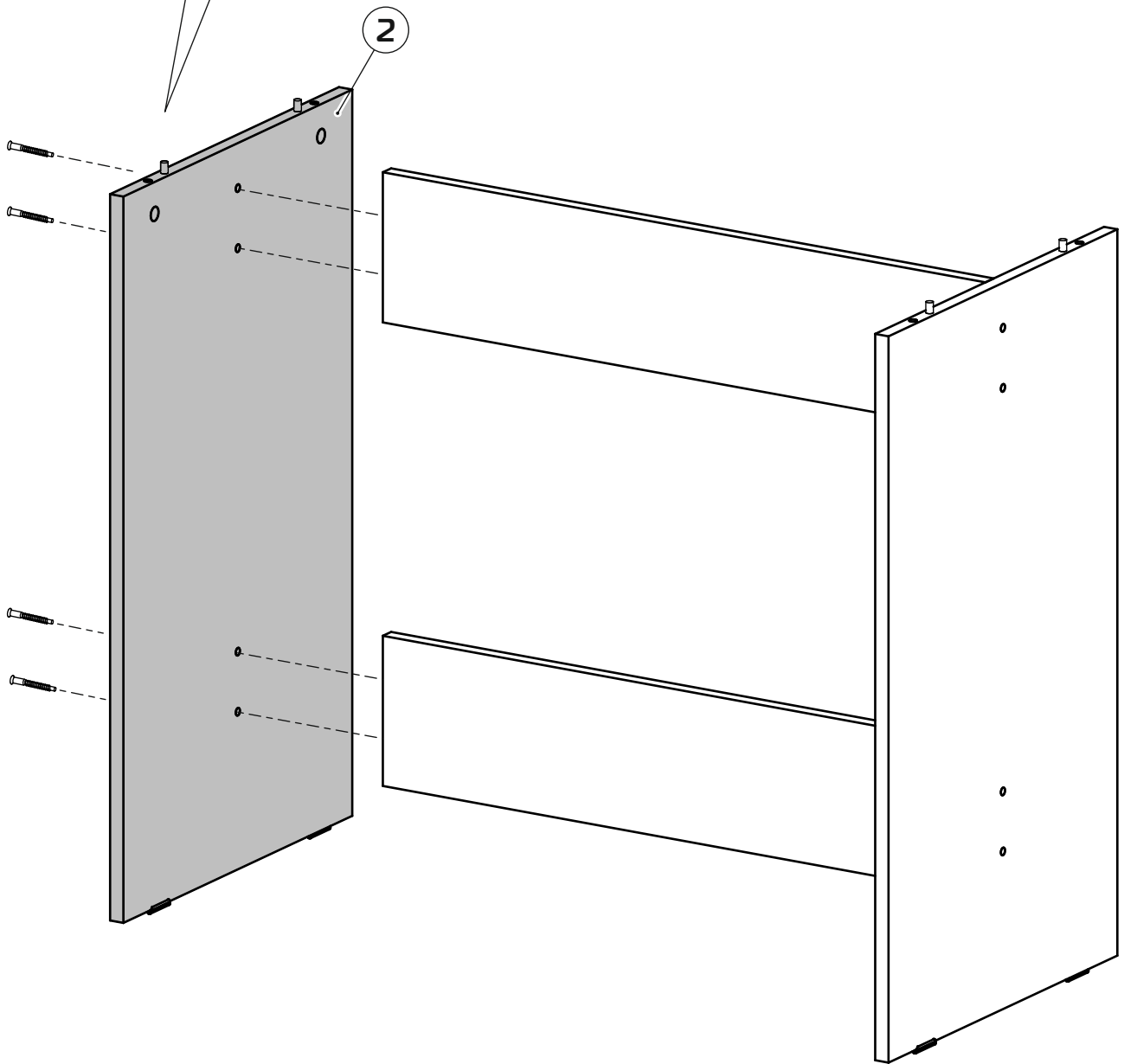
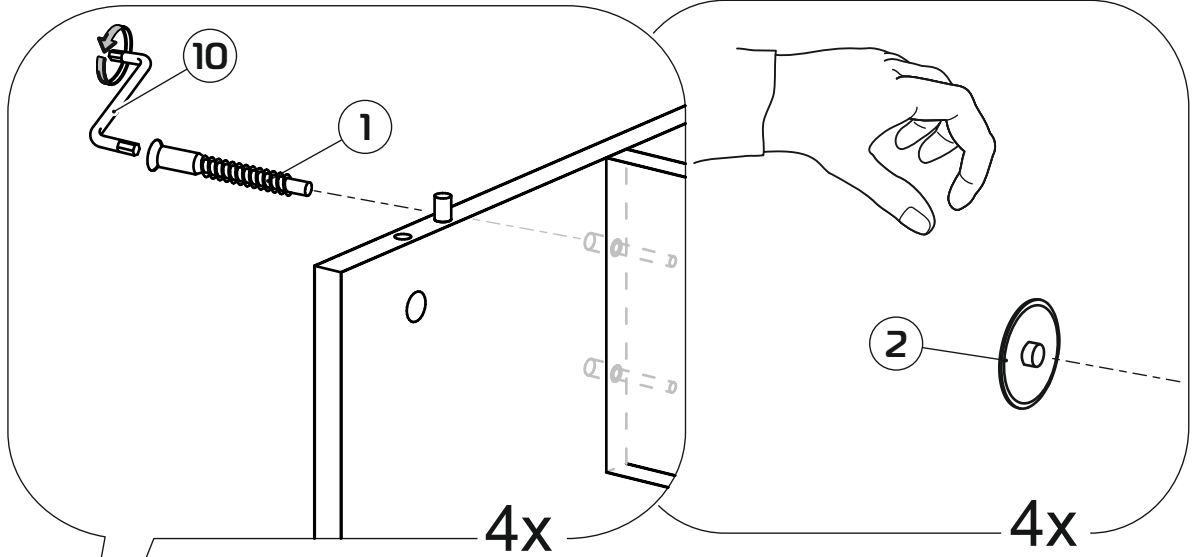
2



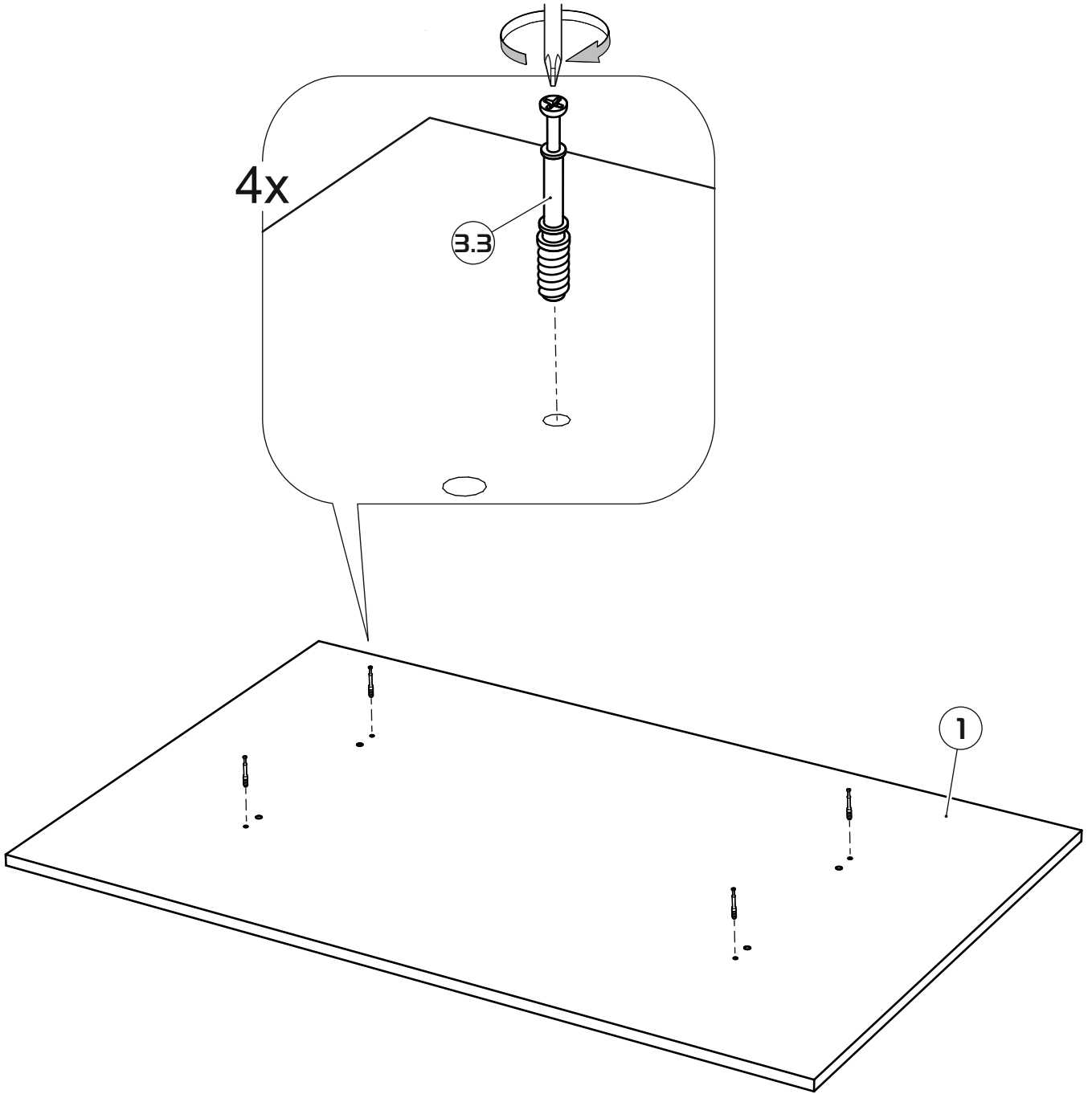
3



4



5



6

