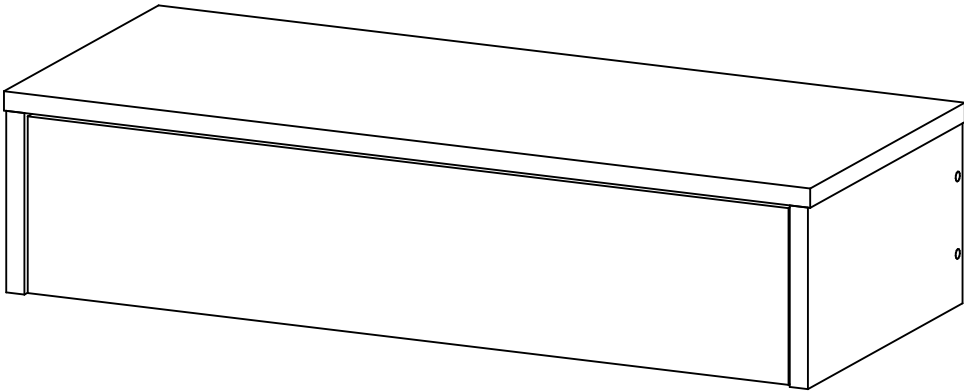
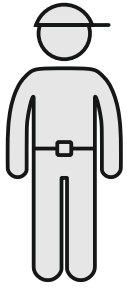


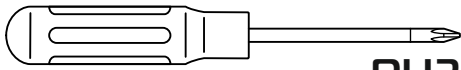
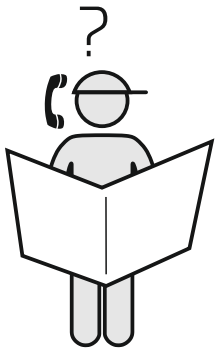
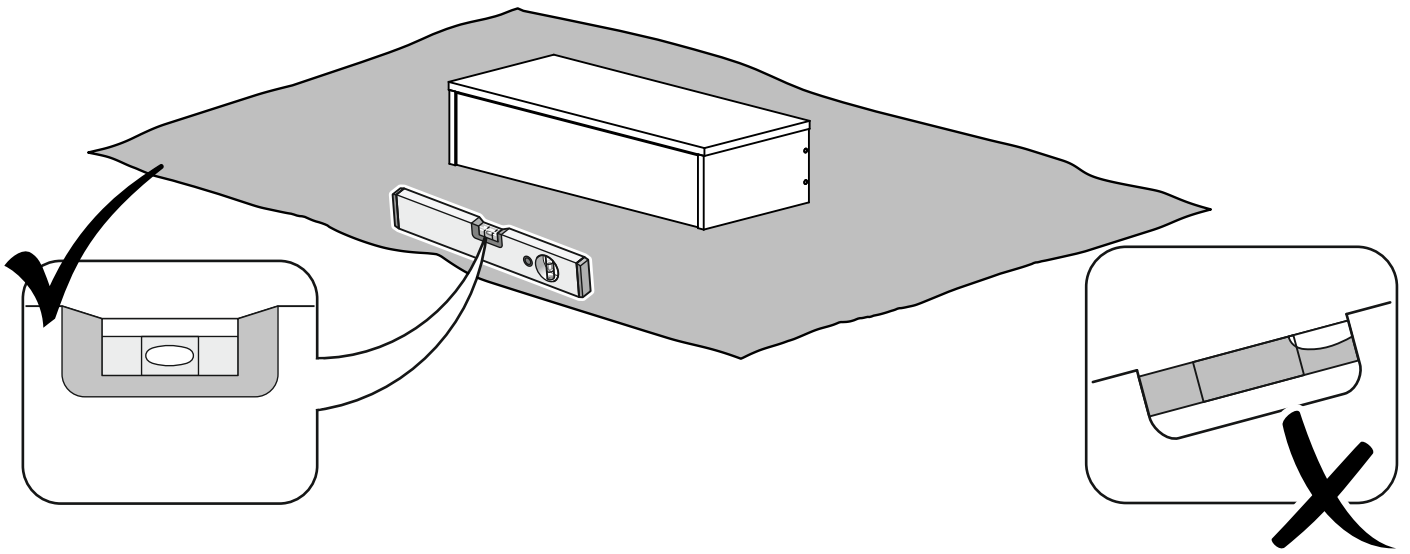
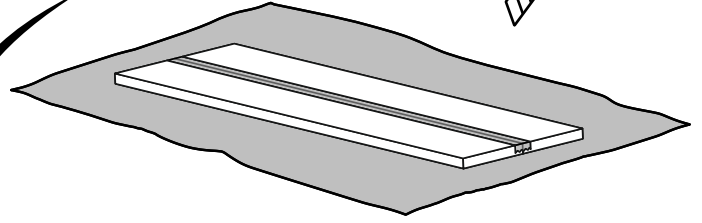
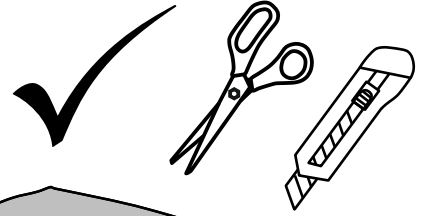
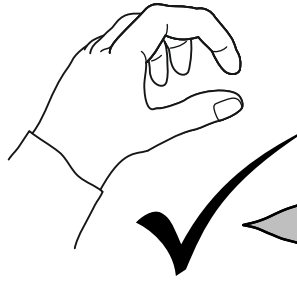
YHO-47

UNO-47

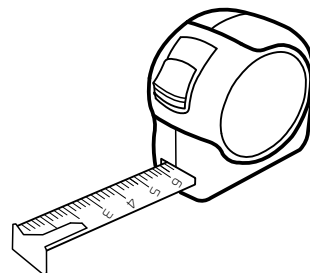
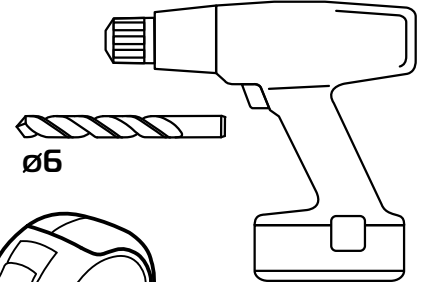
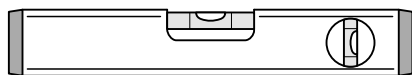
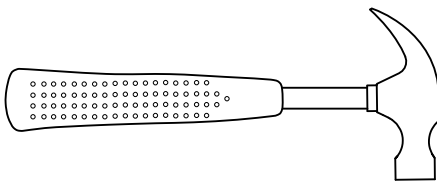


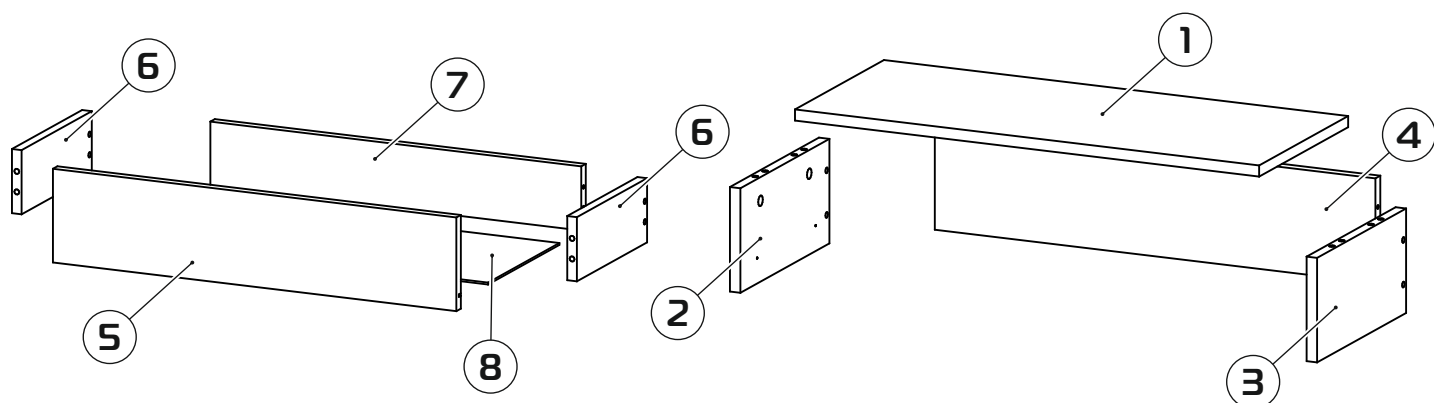


30-40 min



PH2





① 710x292x16 (x1)

⑤ 670x146x16 (x1)

② 150x292x16 (x1)

⑥ 250x100x16 (x2)

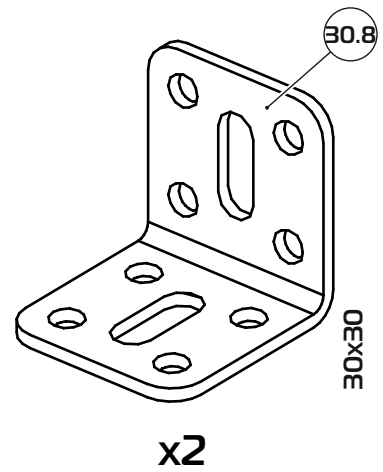
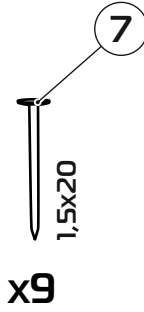
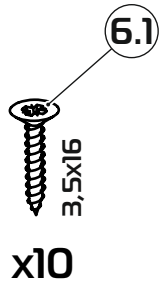
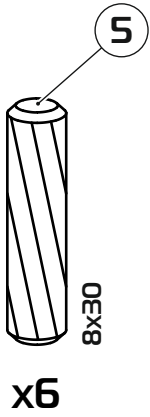
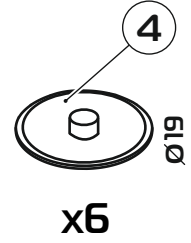
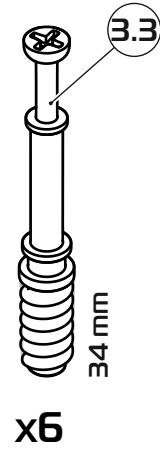
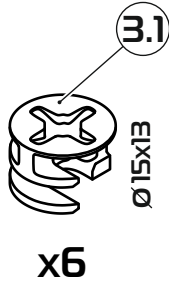
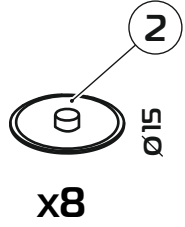
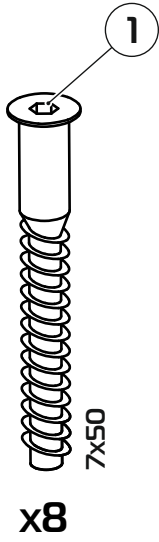
③ 150x292x16 (x1)

⑦ 616x100x16 (x1)

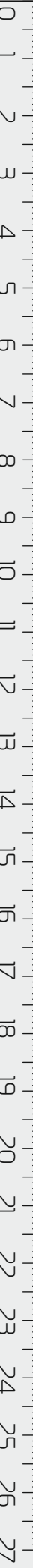
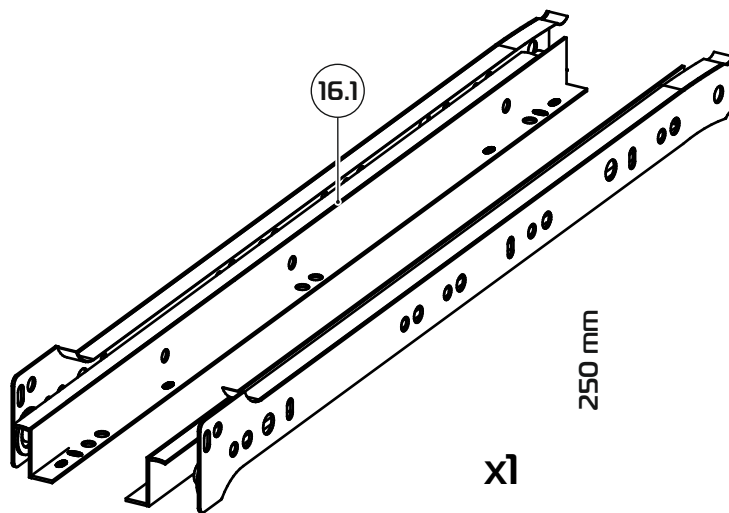
④ 150x674x16 (x1)

⑧ 644x254x3 (x1)

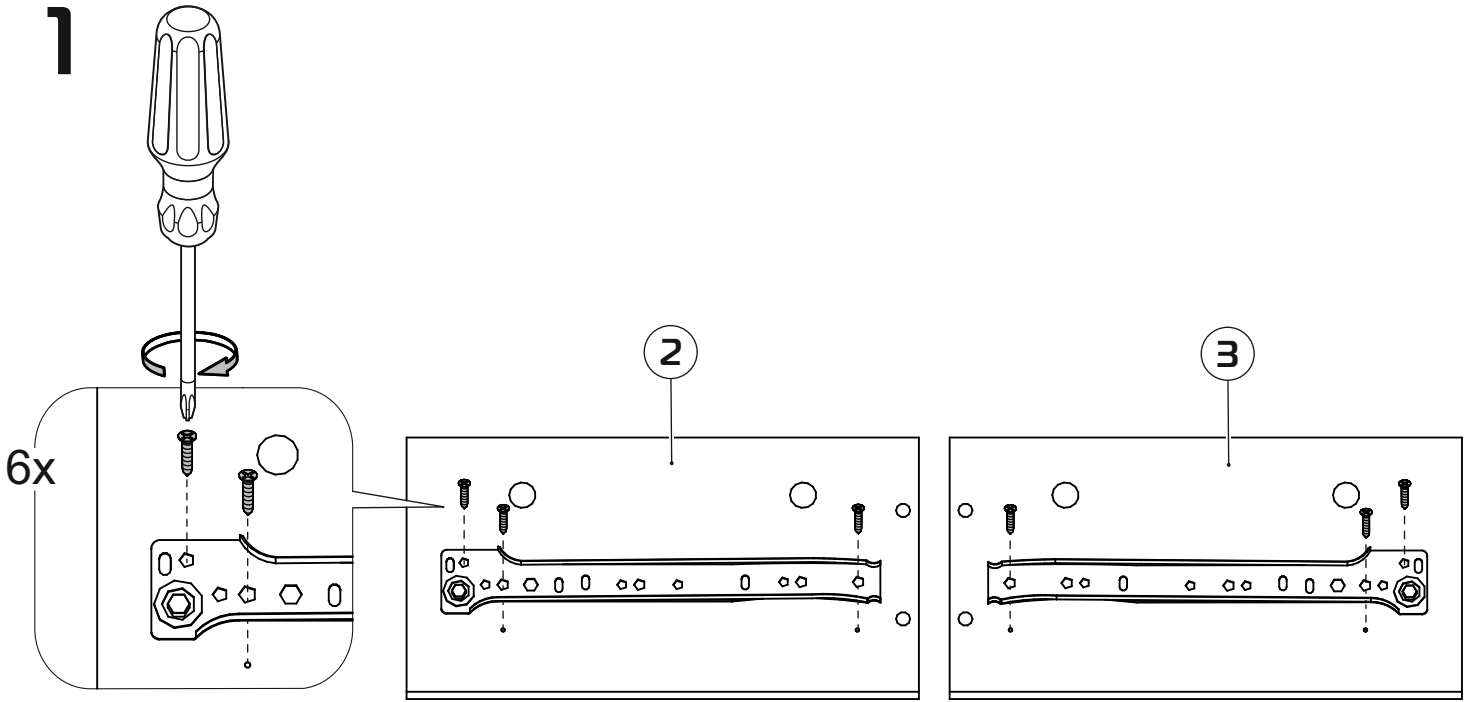
1:1



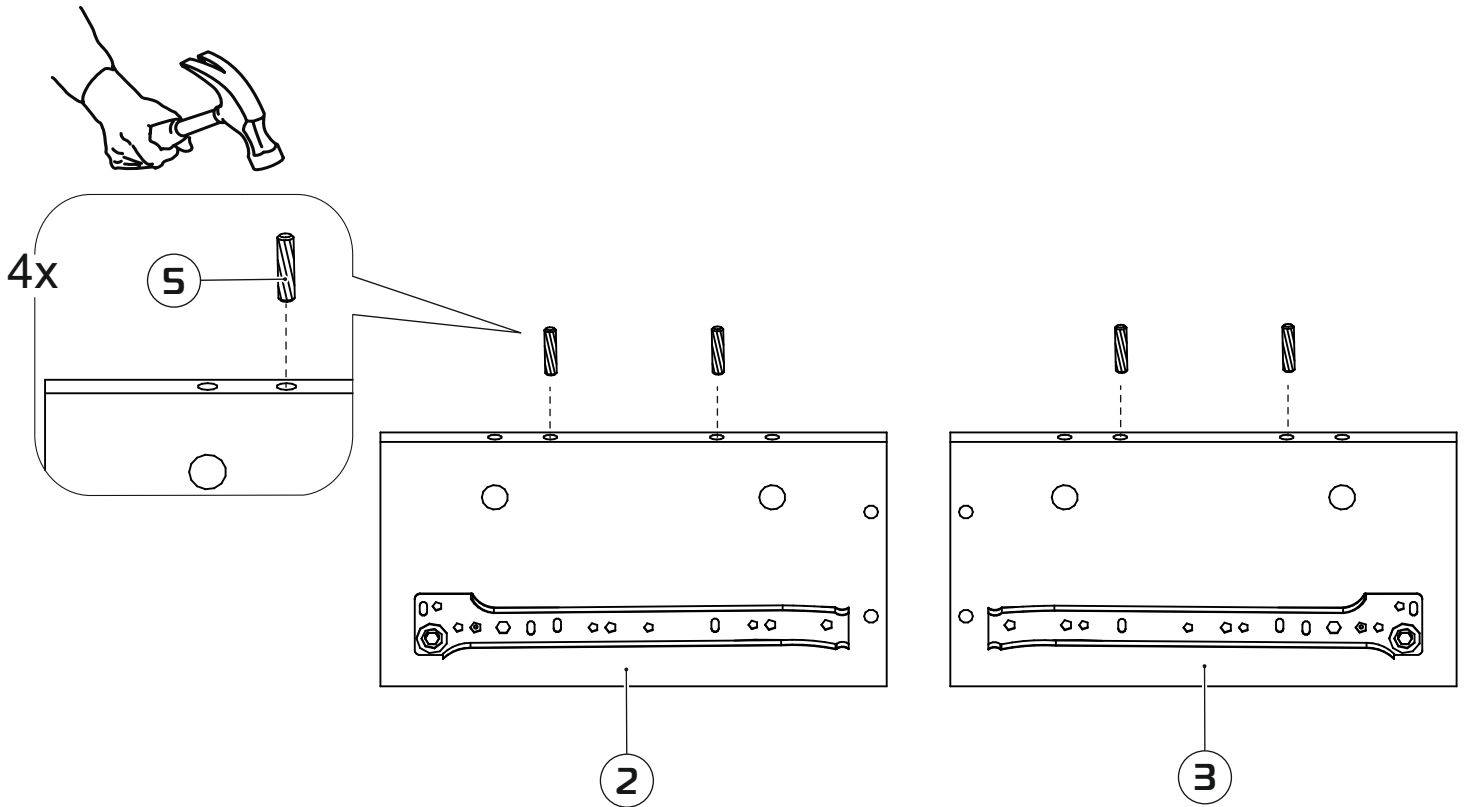
1:2



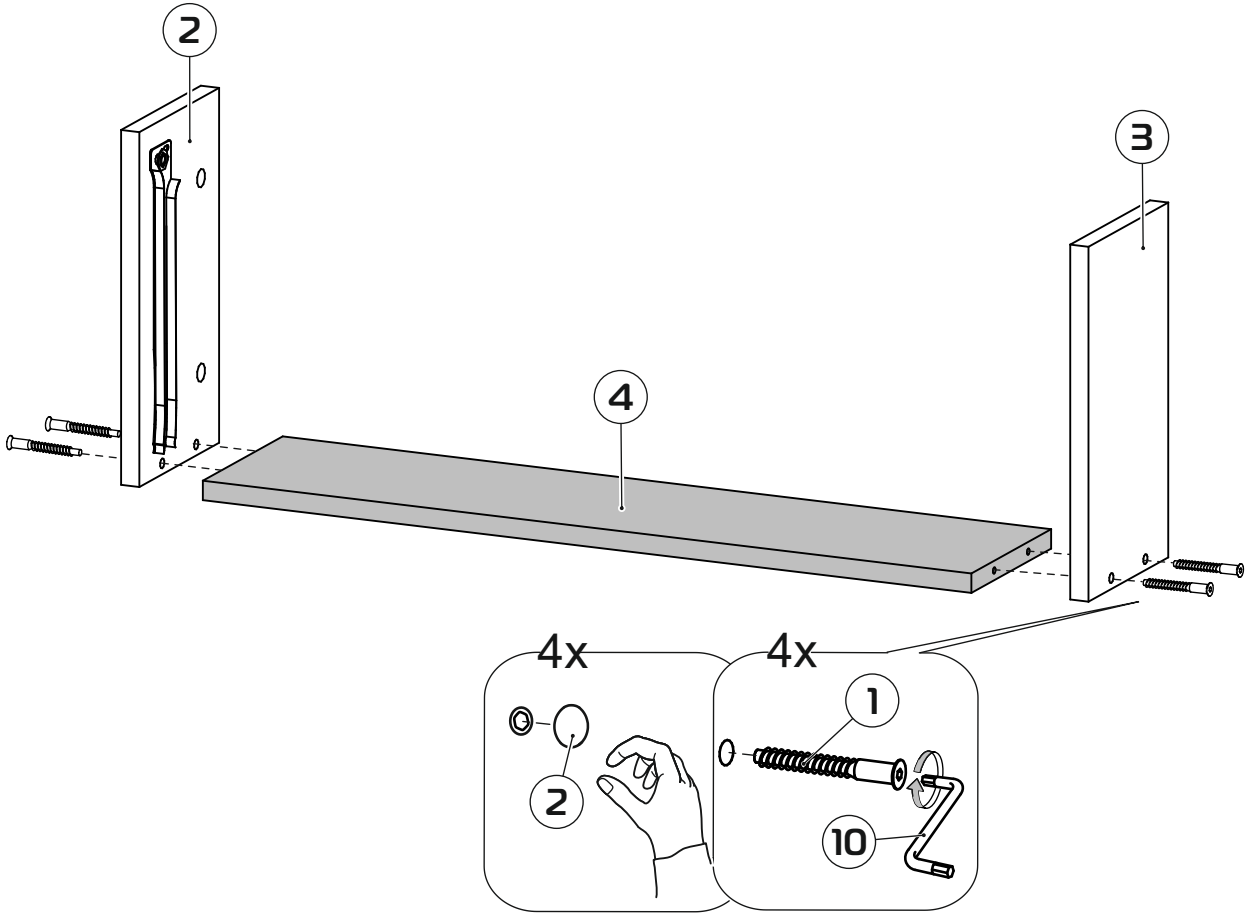
1



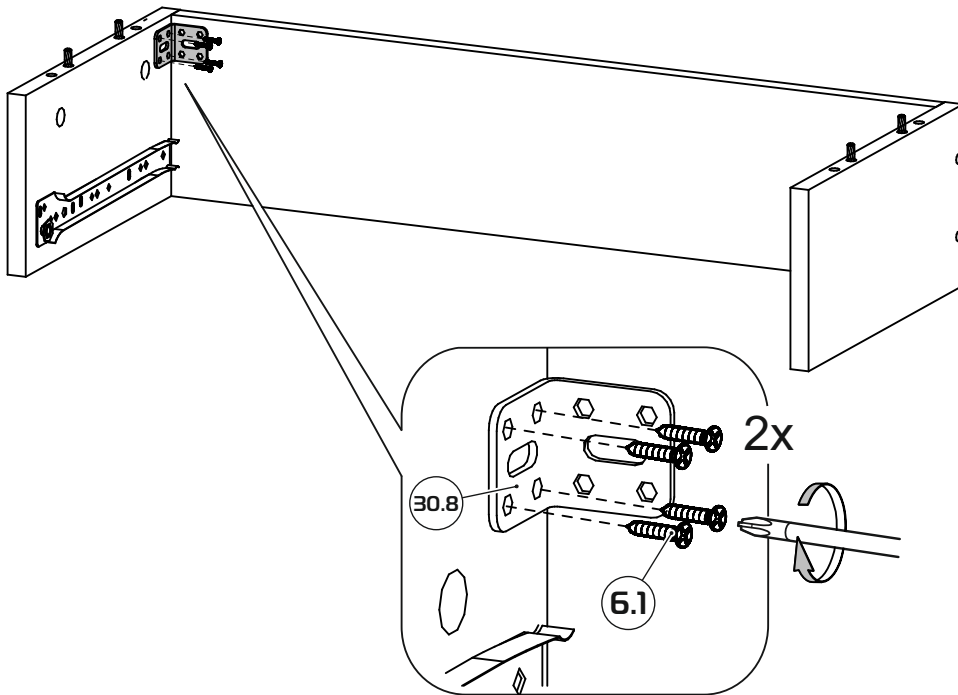
2



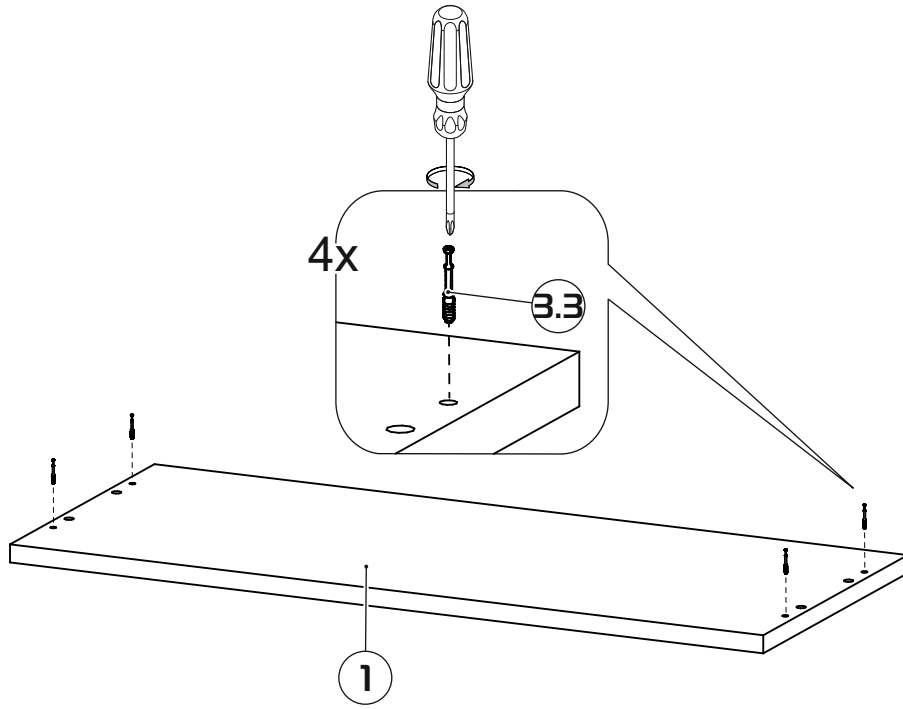
3



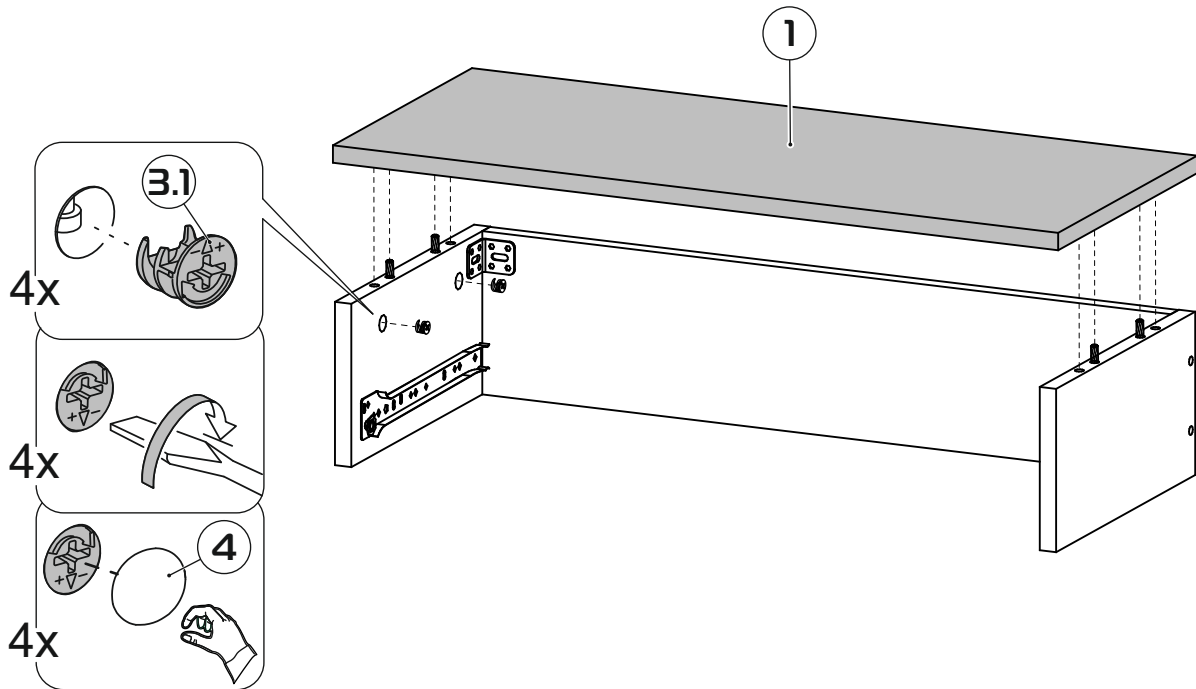
4



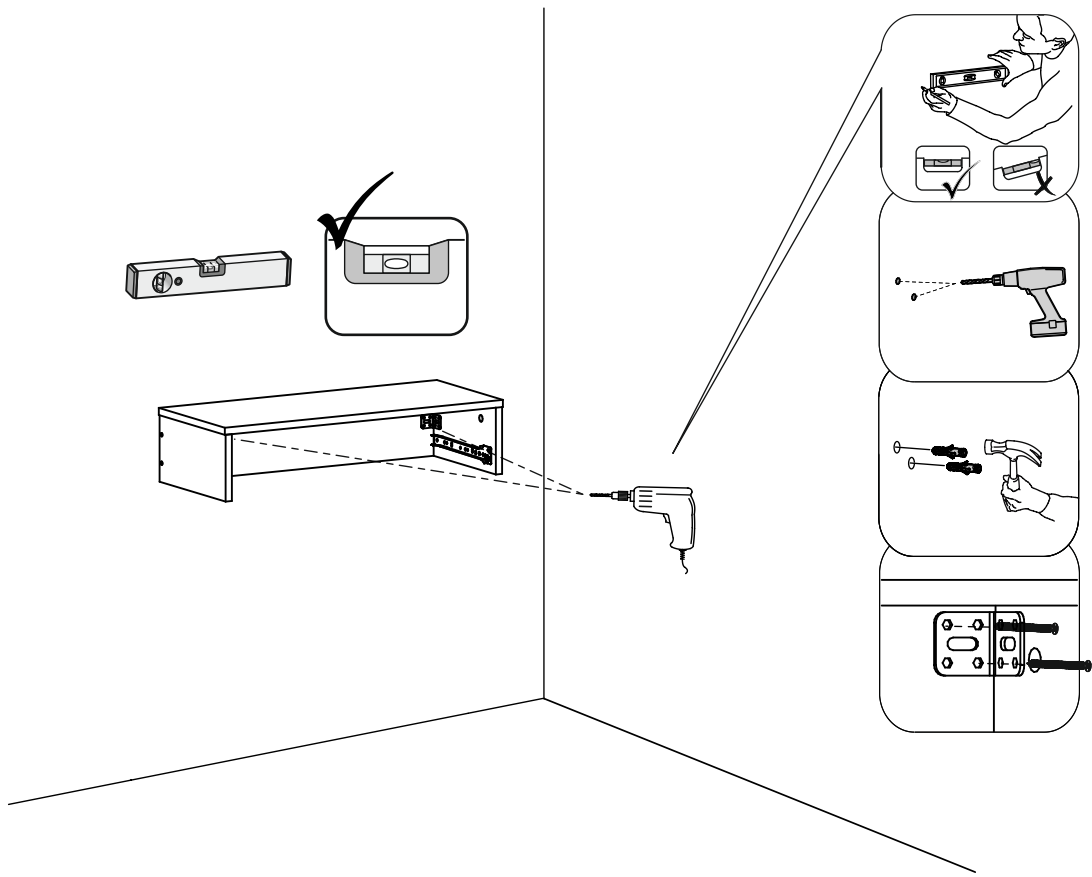
5



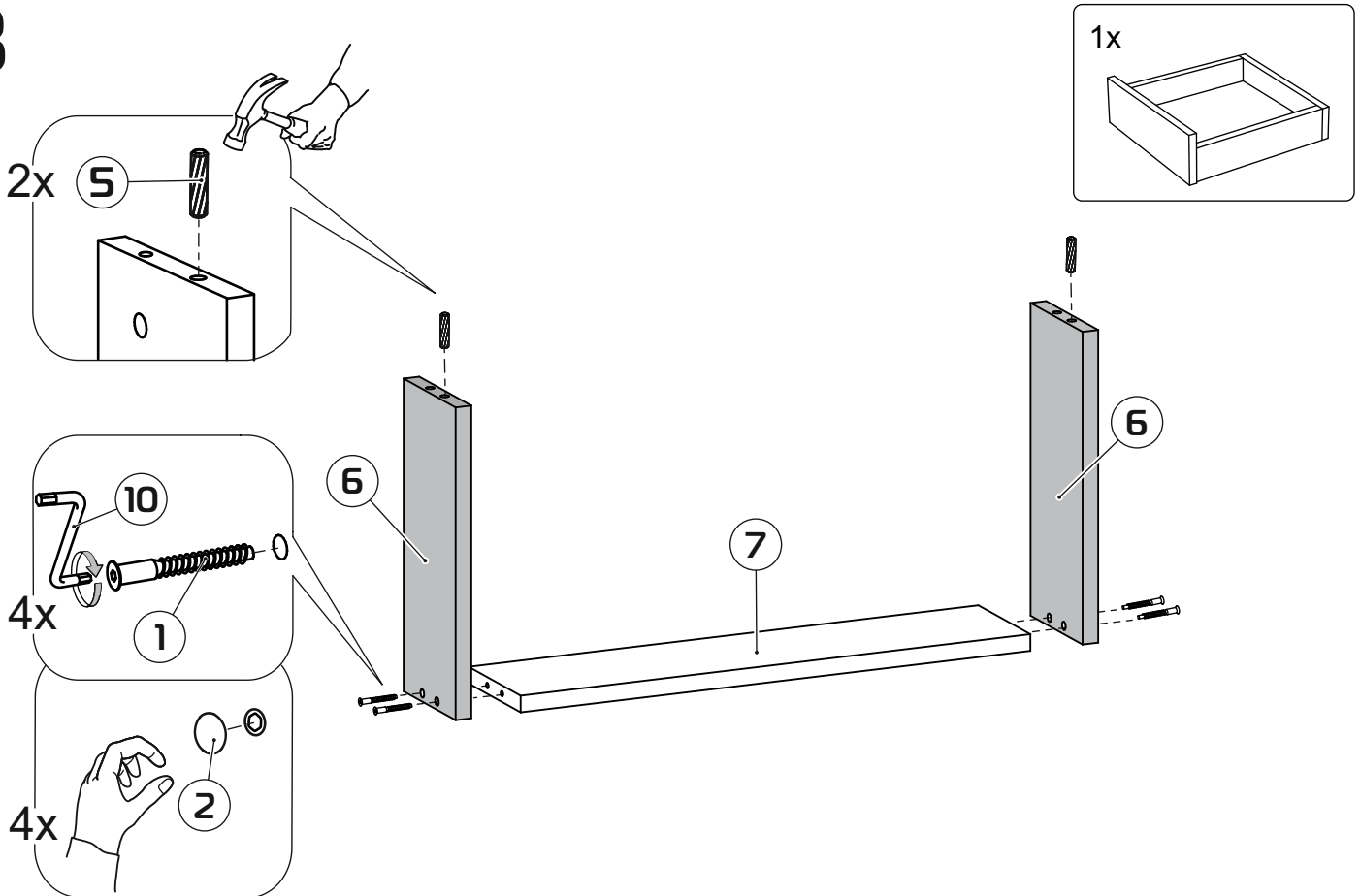
6



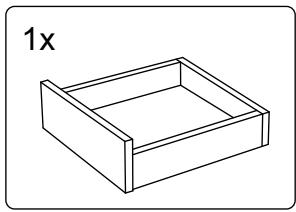
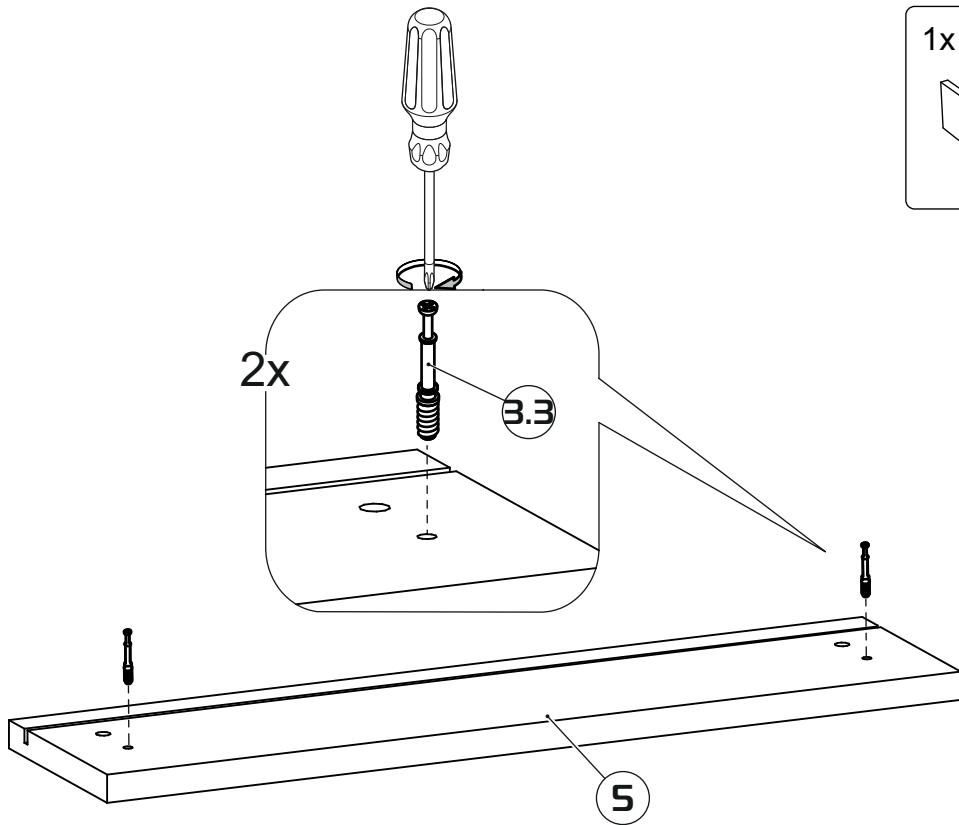
7



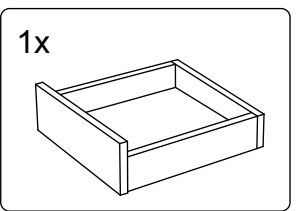
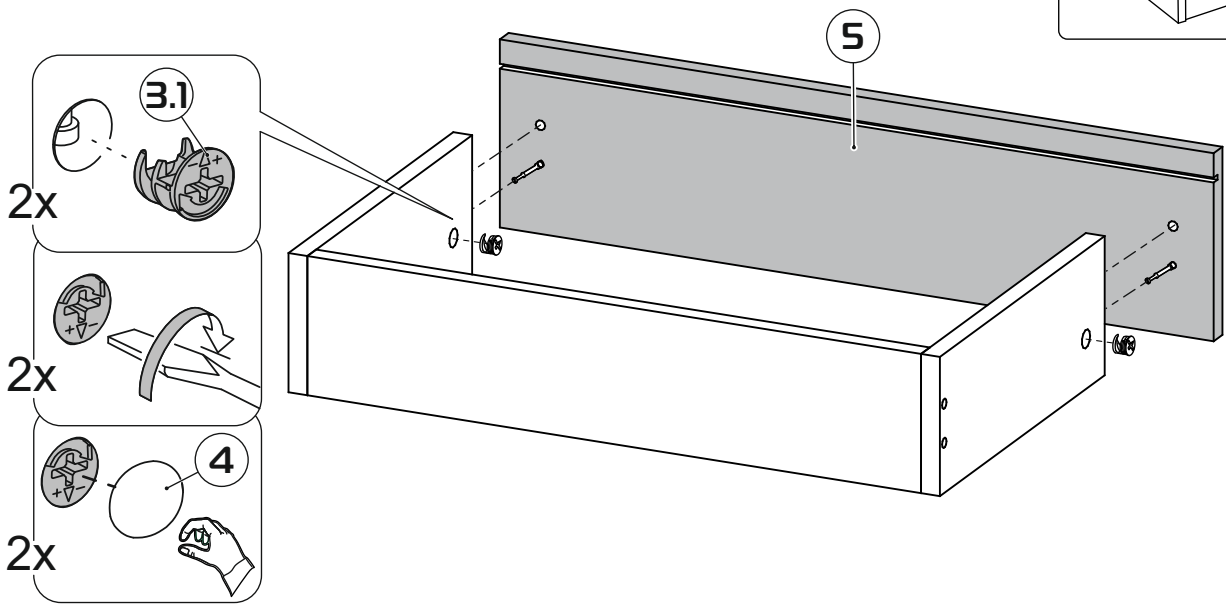
8



9



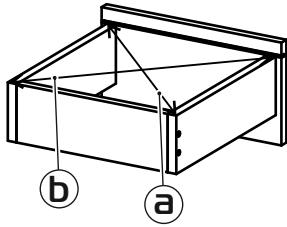
10



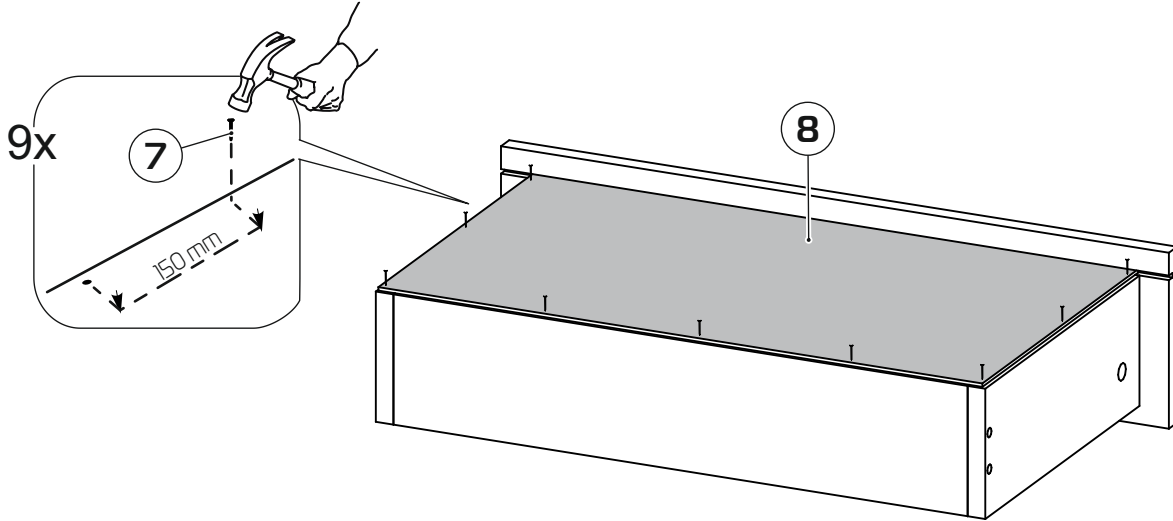
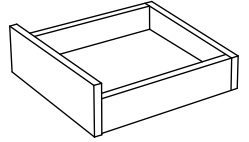
11



(A=B)

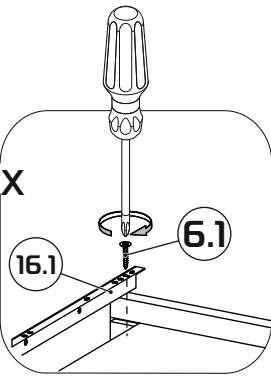


1x

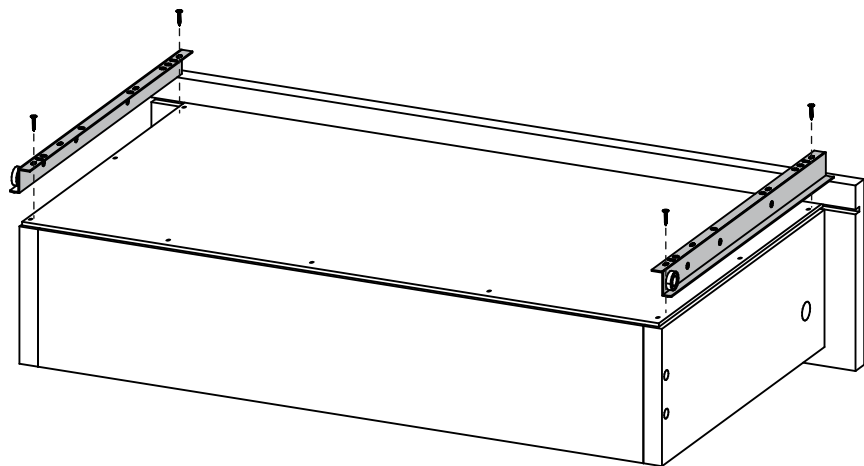
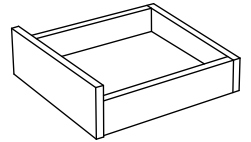


12

4x



1x



13

