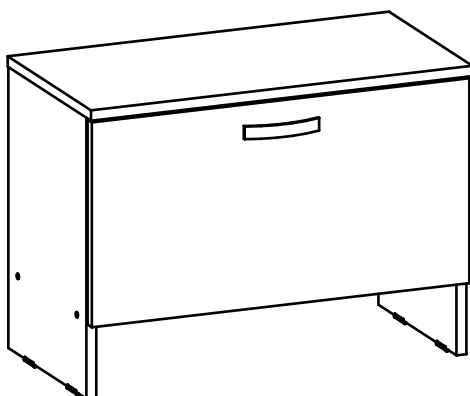
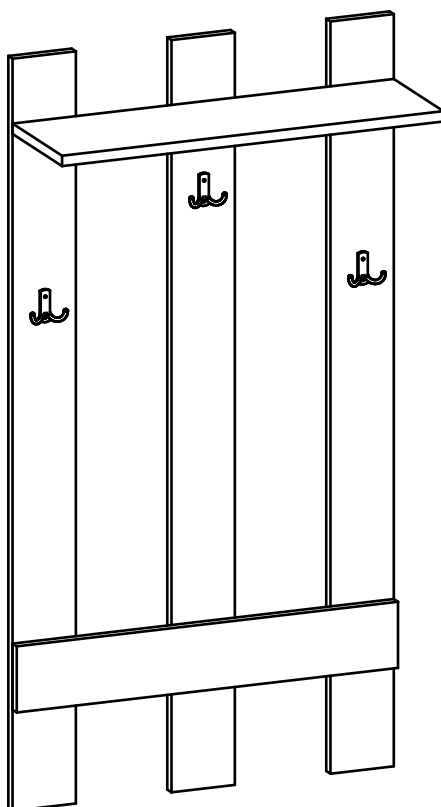
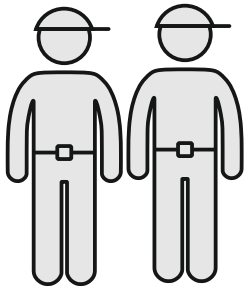


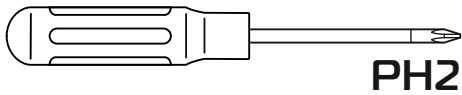
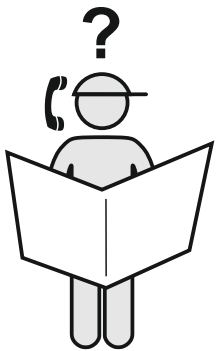
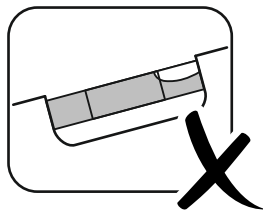
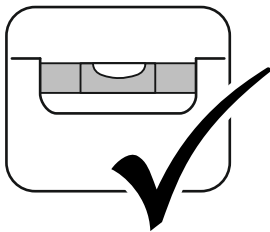
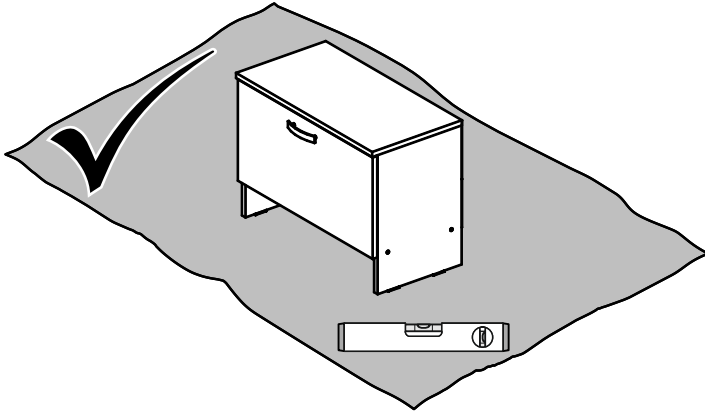
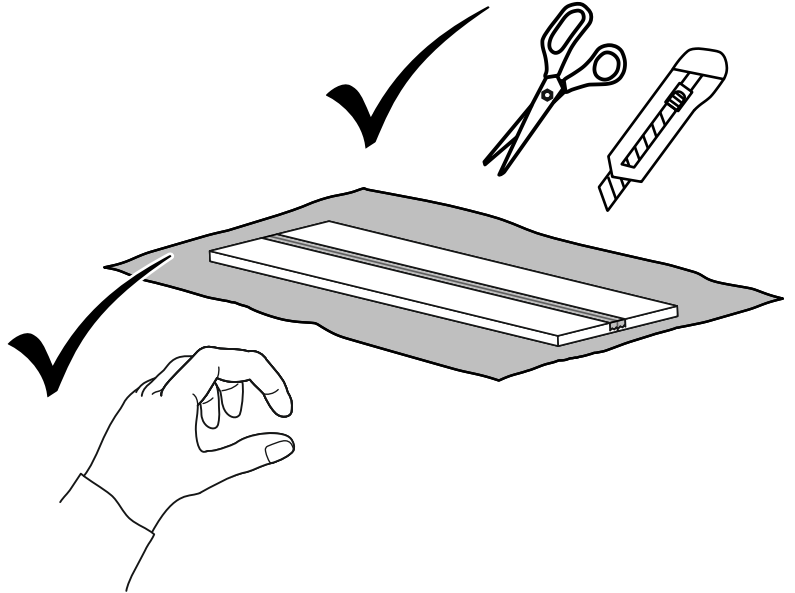
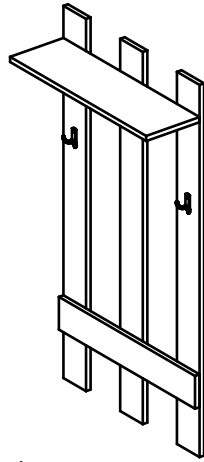
YHO-11

UNO-11

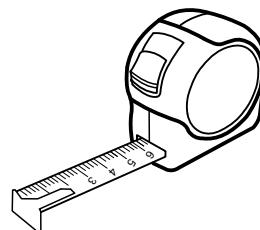
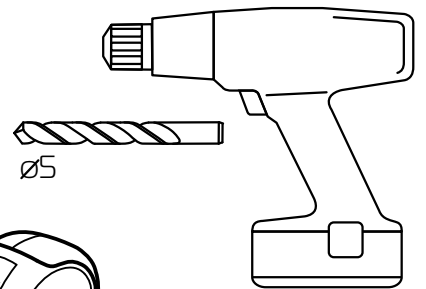
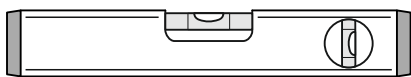
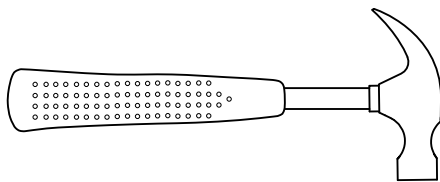


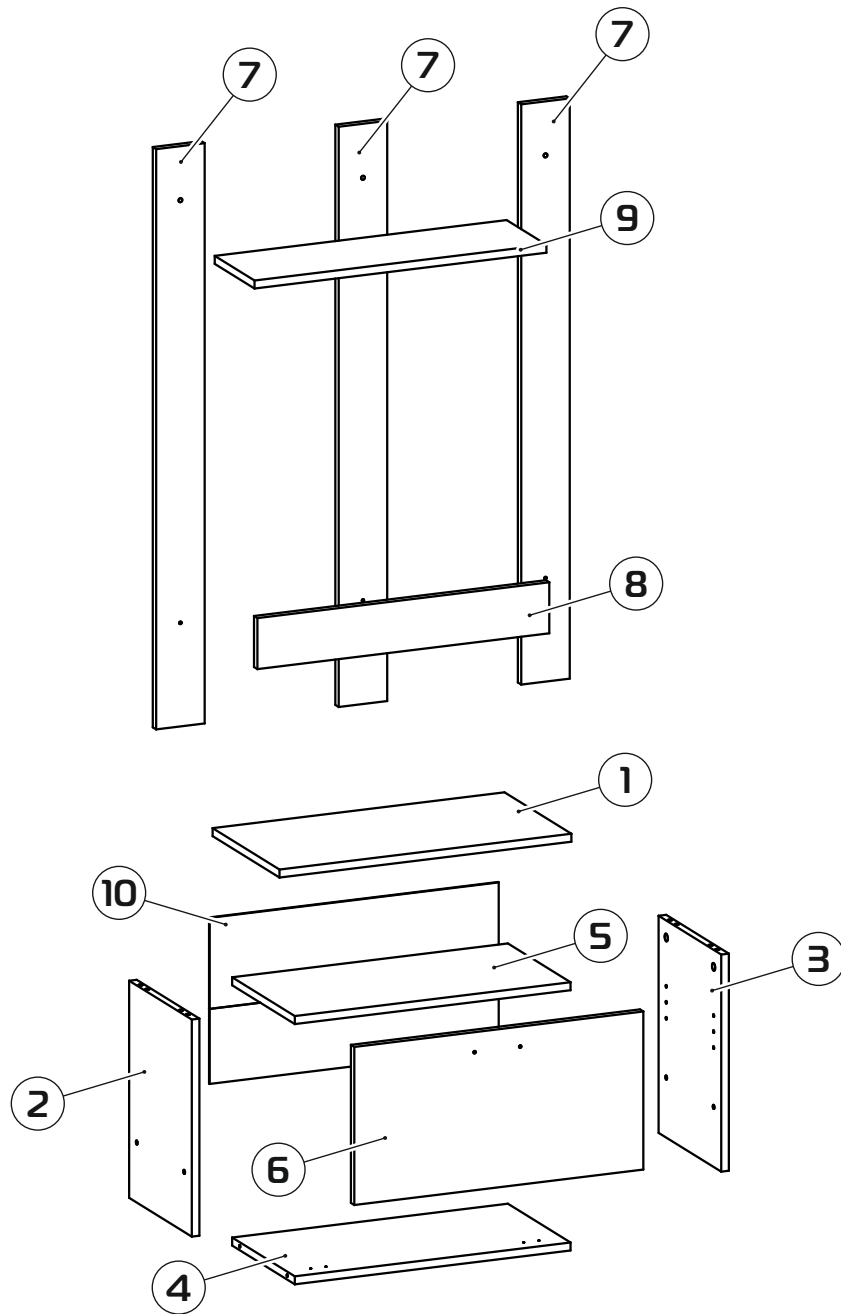


40 min



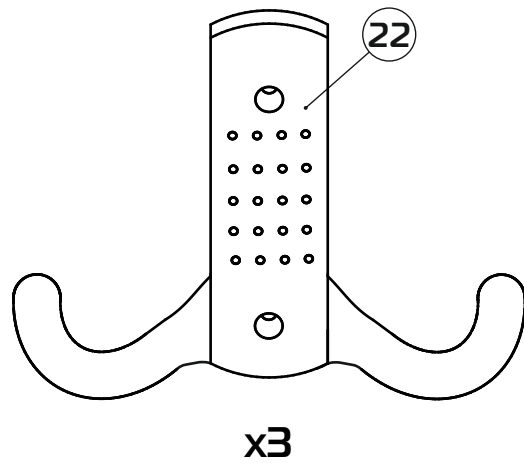
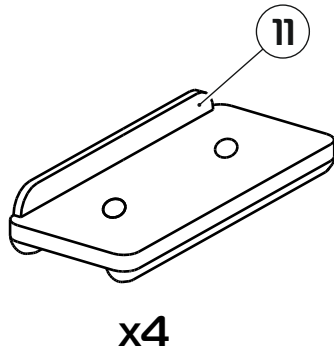
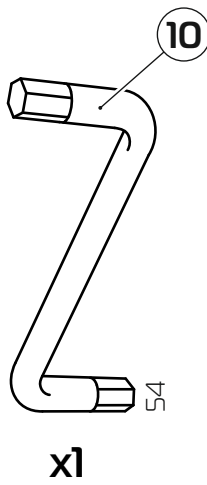
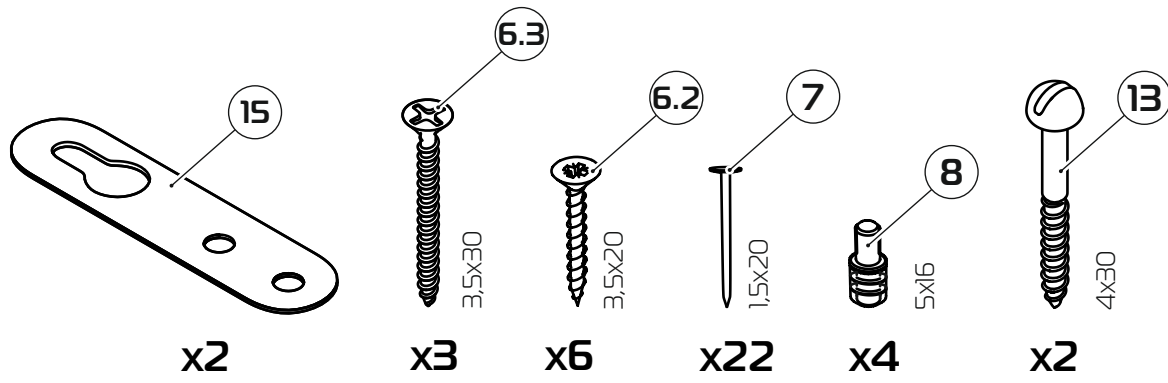
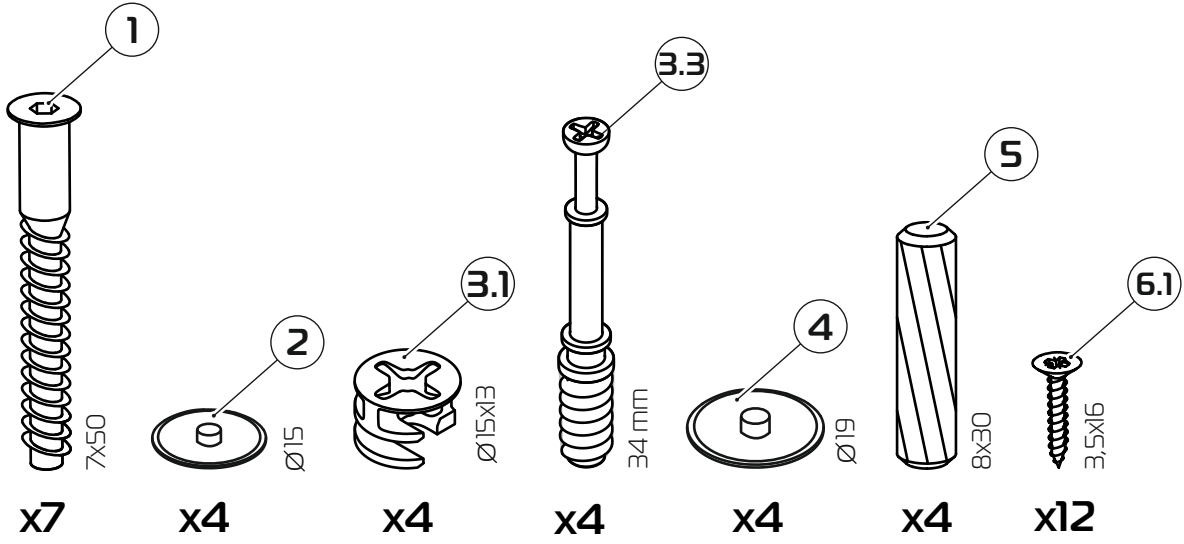
PH2



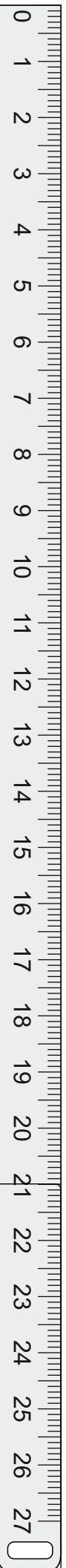
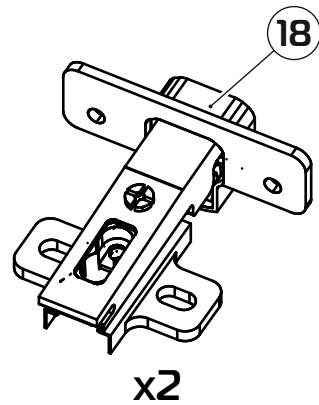
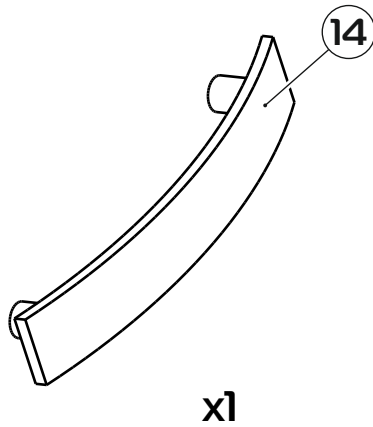


- | | |
|-------------------|----------------------|
| ① 614x316x16 (x1) | ⑥ 608x316x16 (x1) |
| ② 434x296x16 (x1) | ⑦ 1160x102x16 (x3) |
| ③ 434x296x16 (x1) | ⑧ 614x102x16 (x1) |
| ④ 580x296x16 (x1) | ⑨ 614x188x16 (x1) |
| ⑤ 580x296x16 (x1) | ⑩ 608x182/150x3 (x1) |

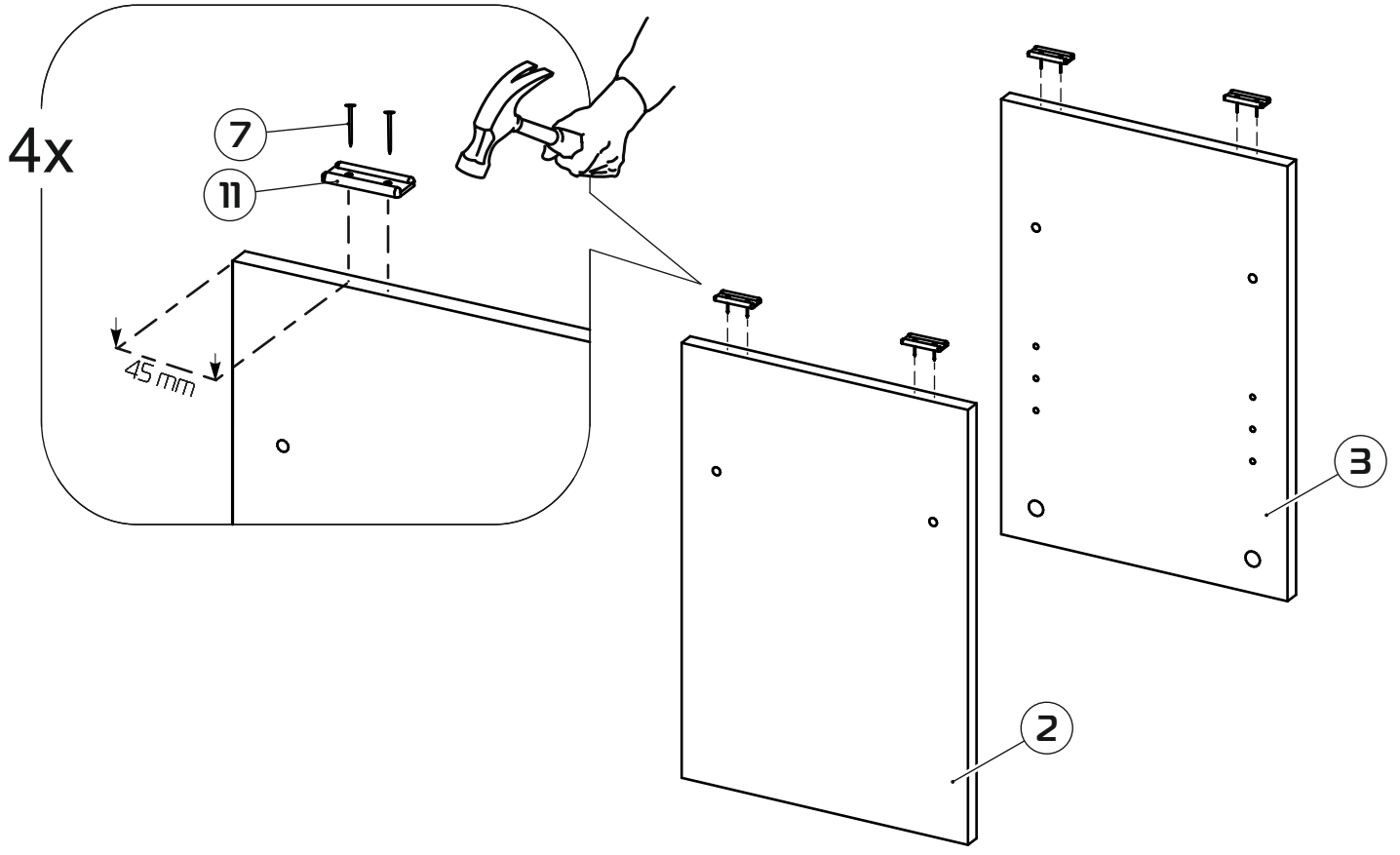
1:1



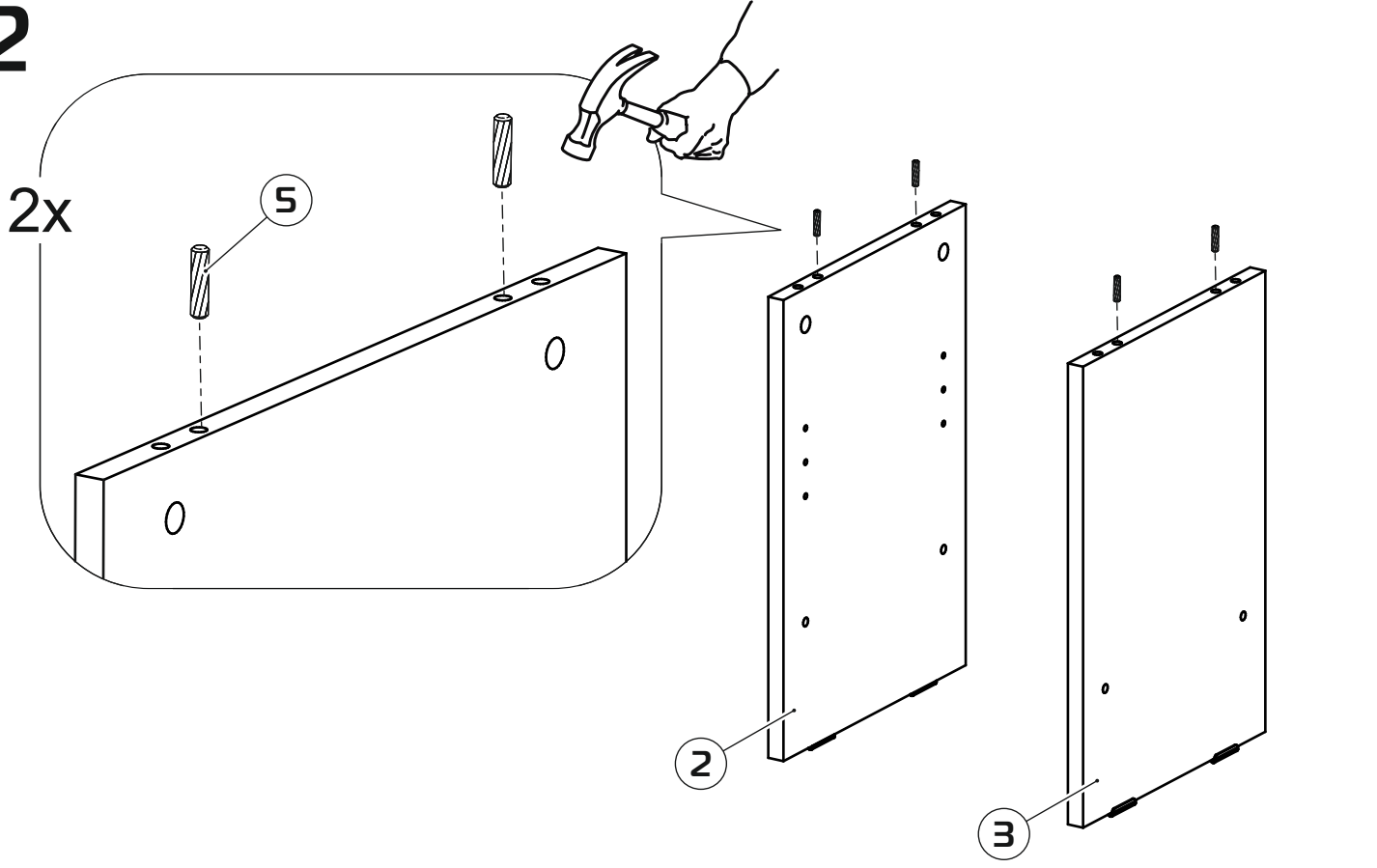
1:2



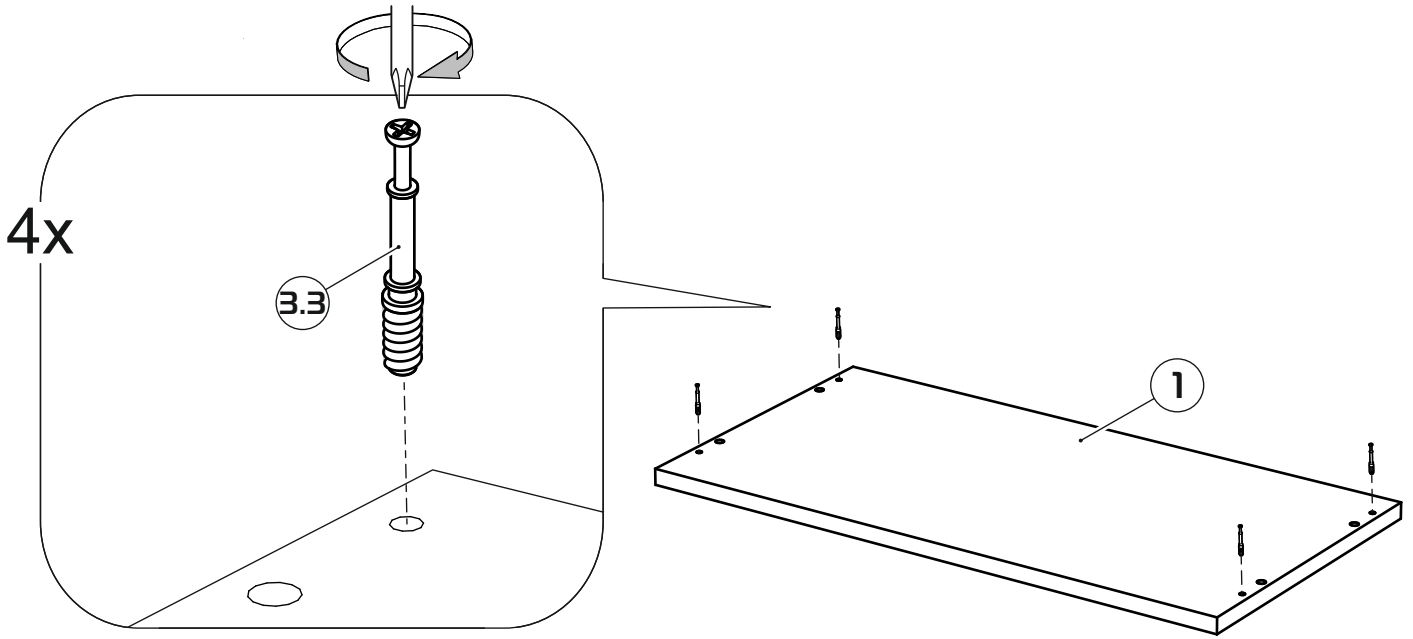
1



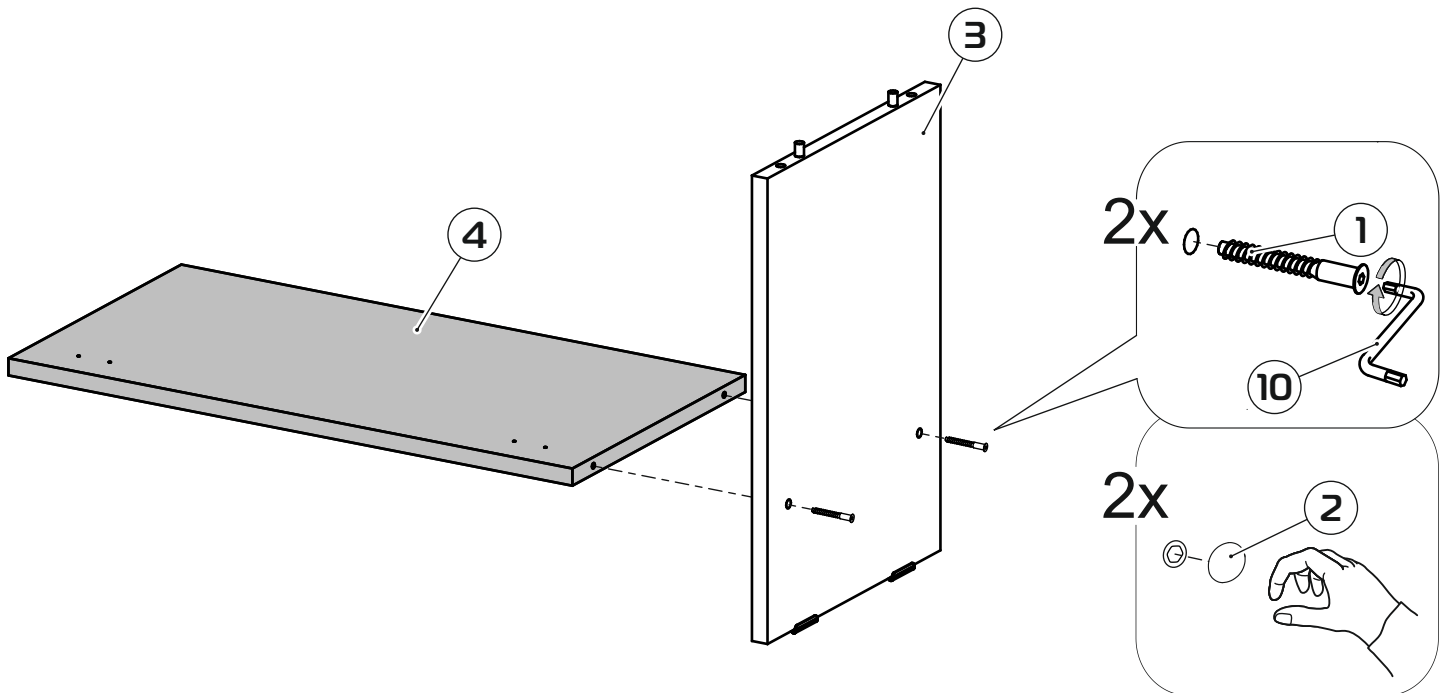
2



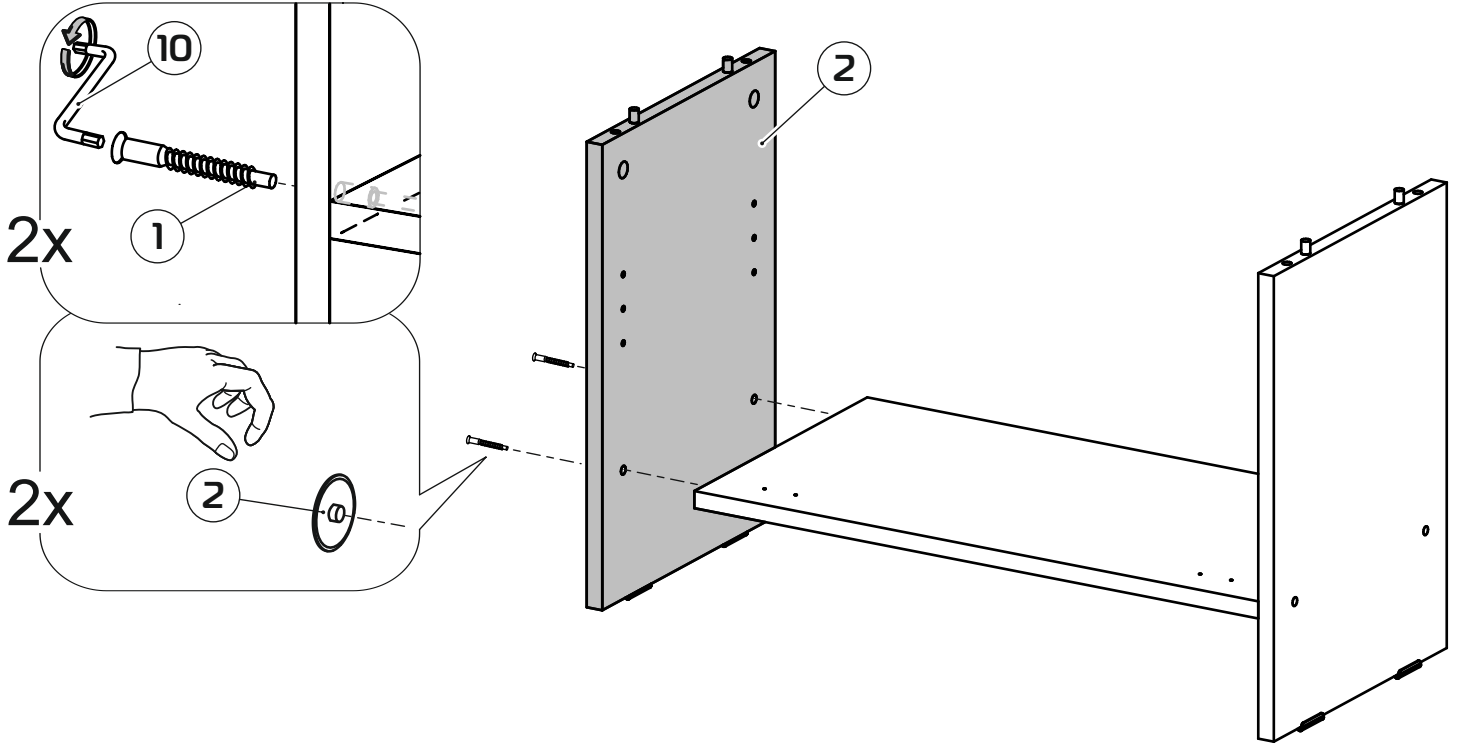
3



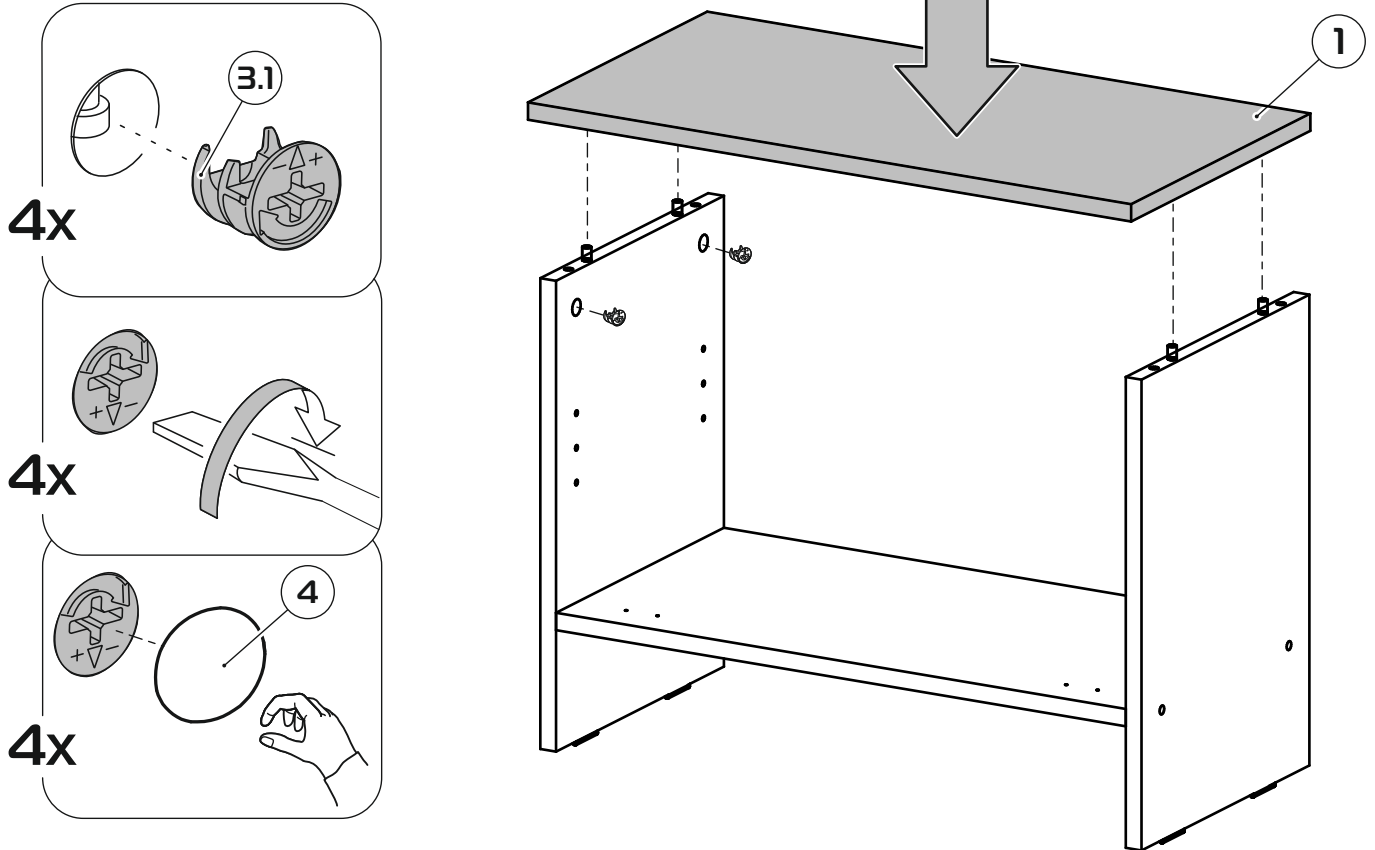
4



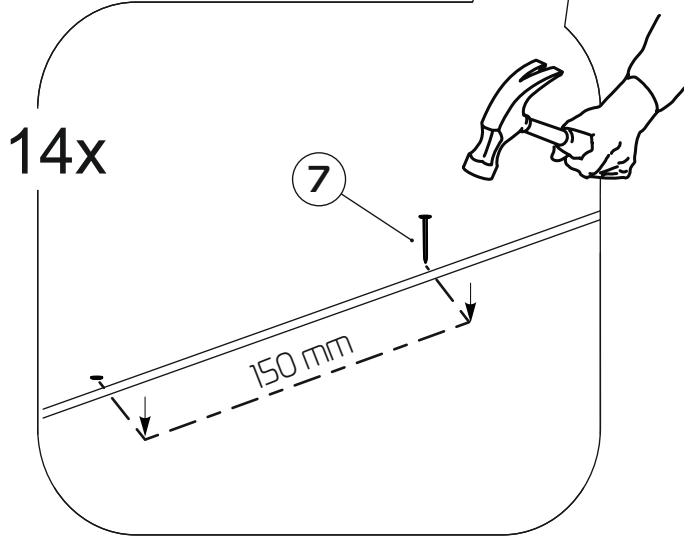
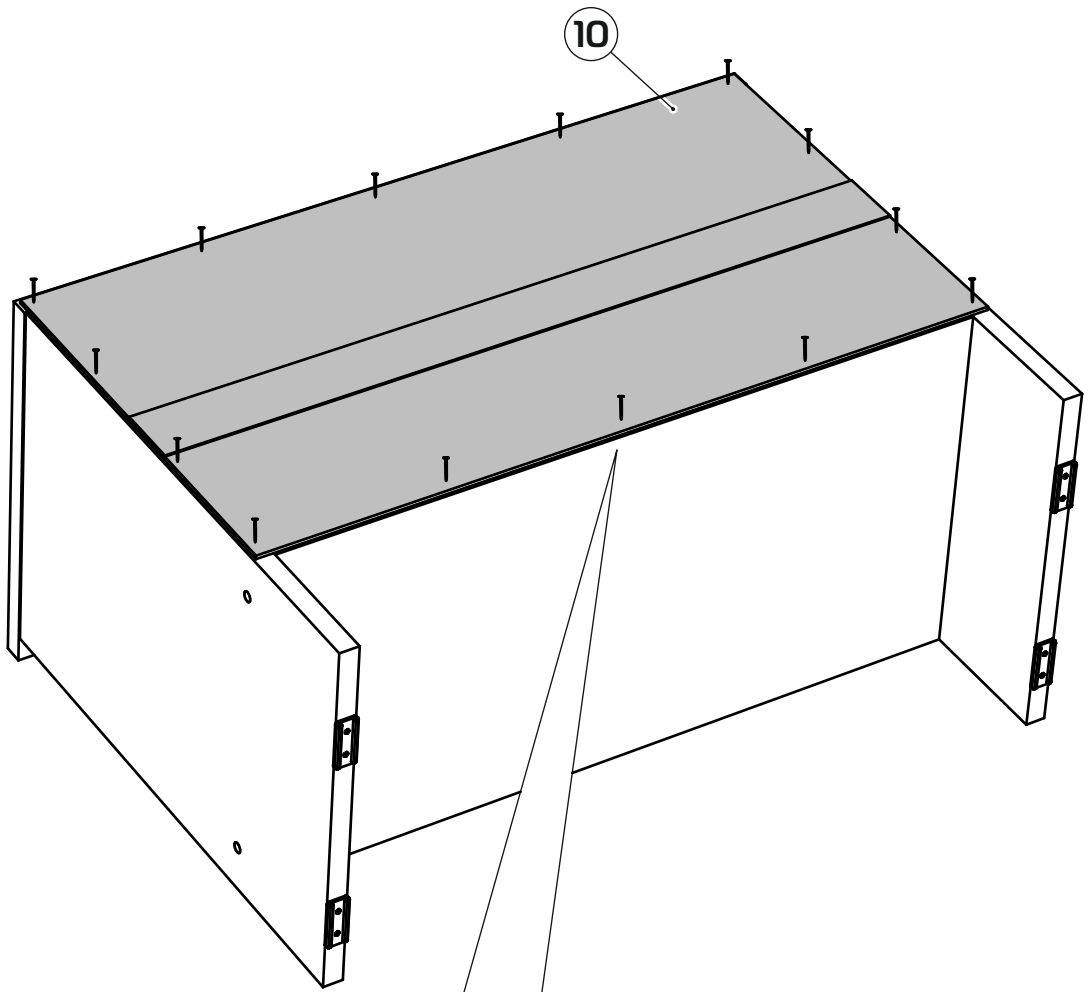
5

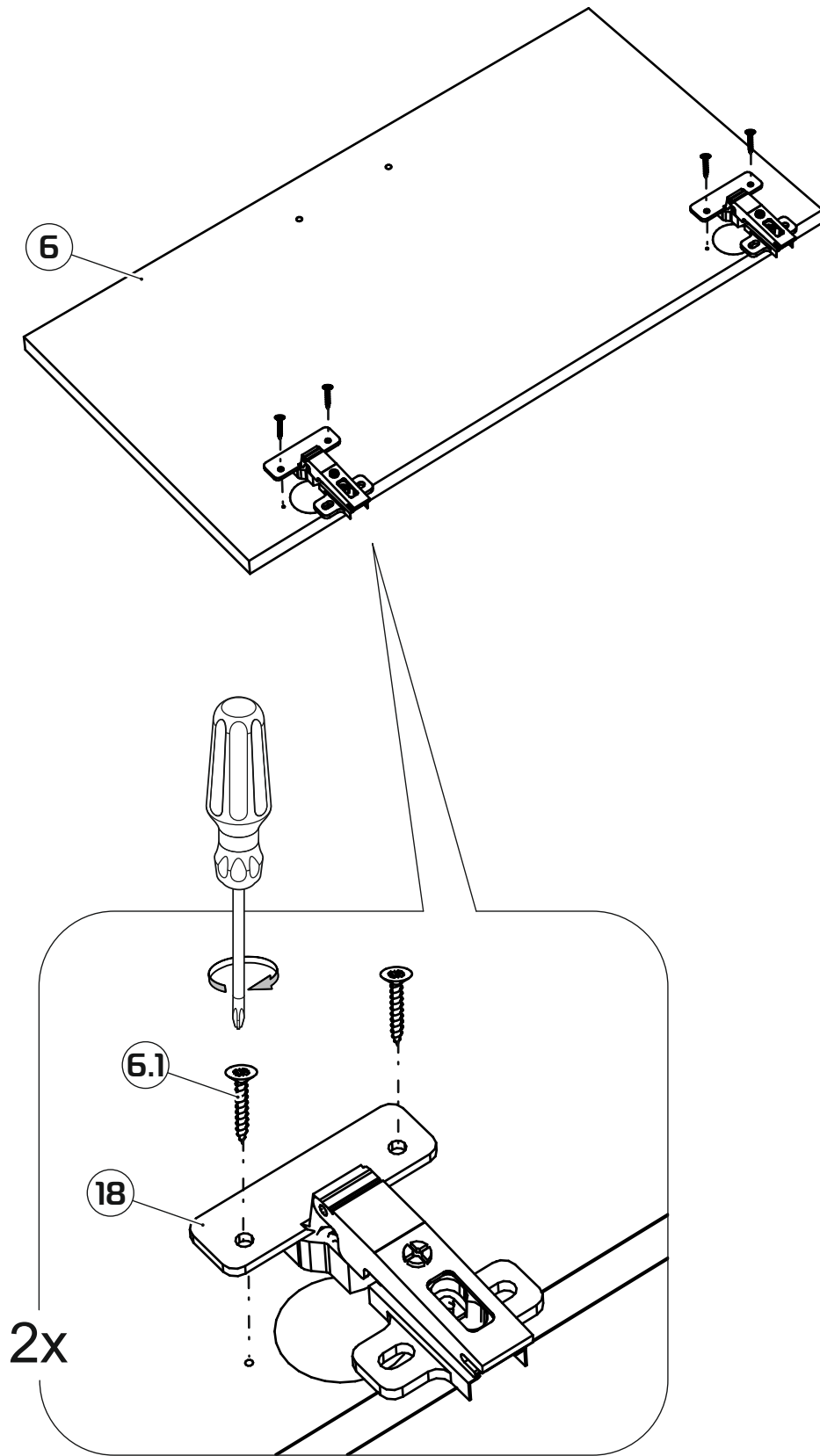


6

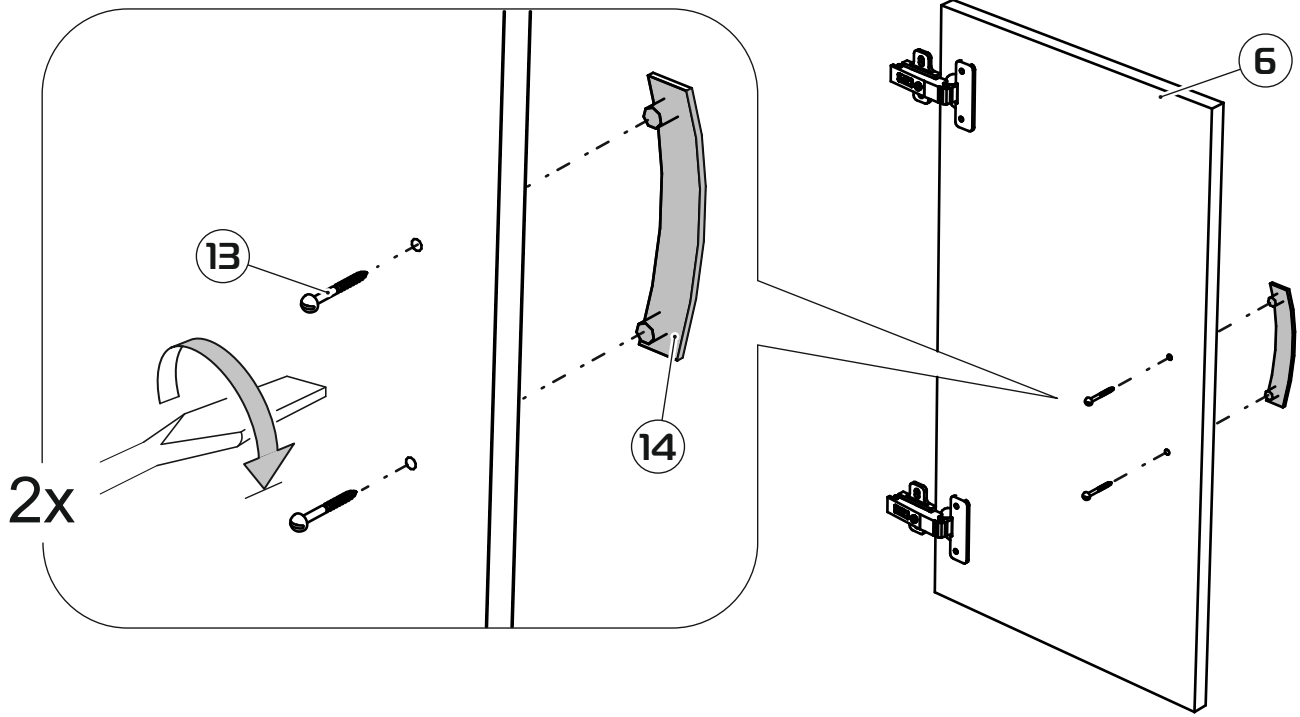


7

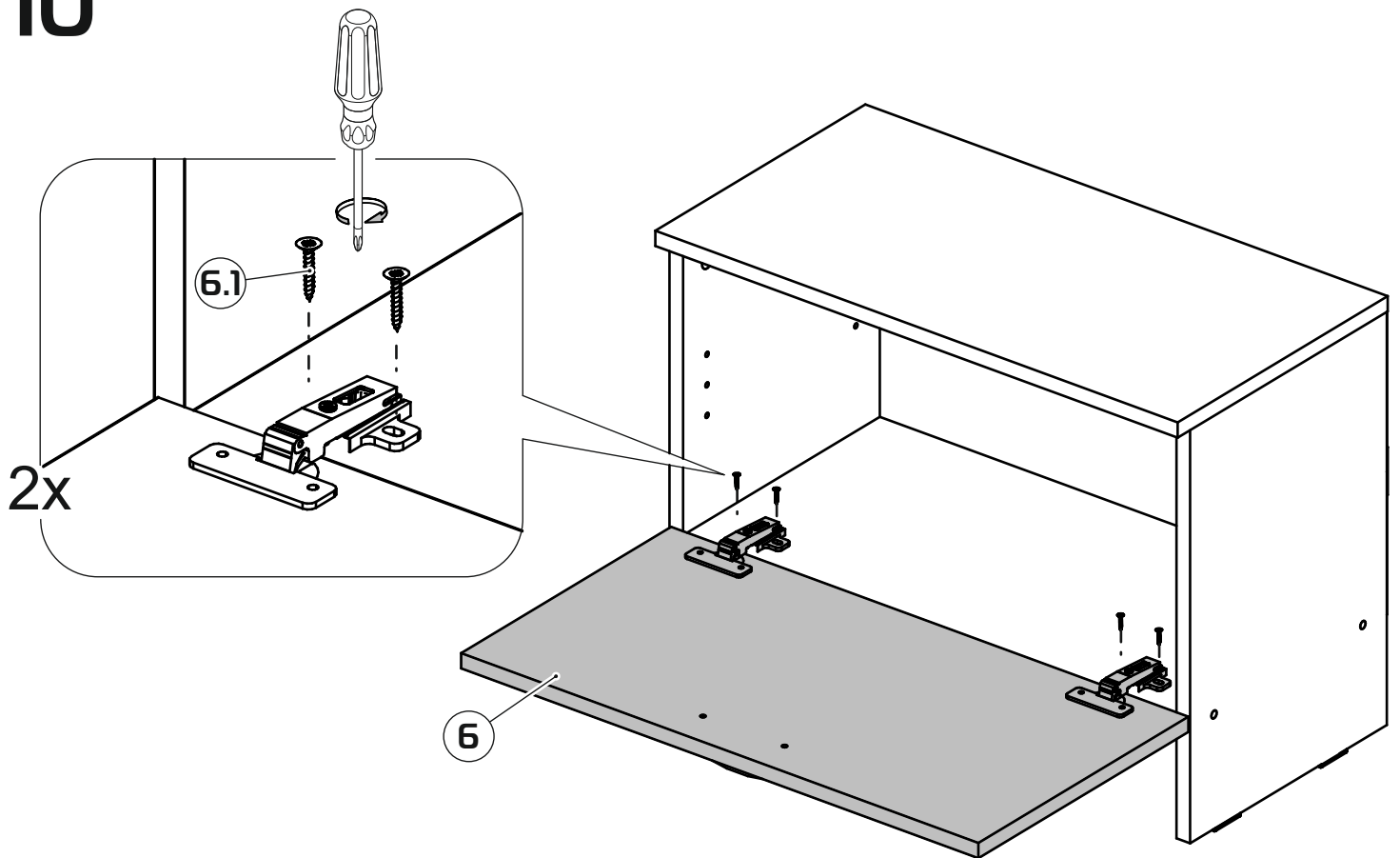




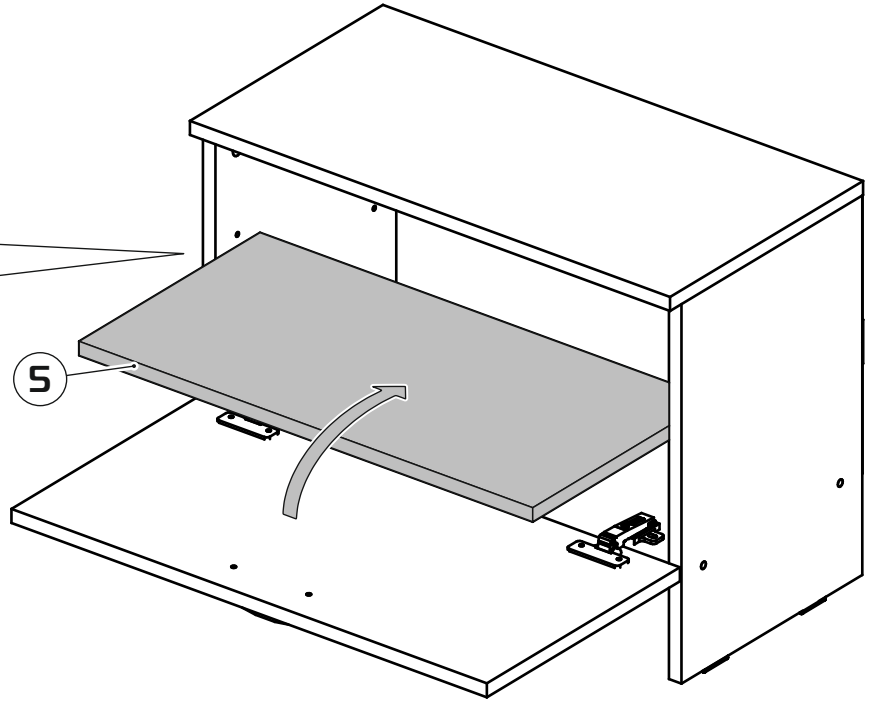
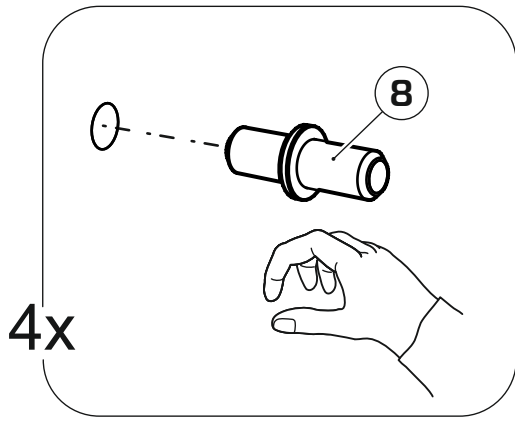
9



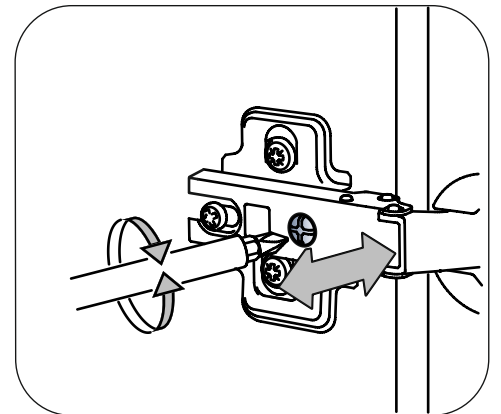
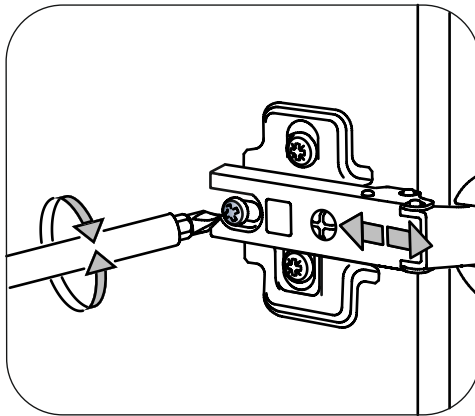
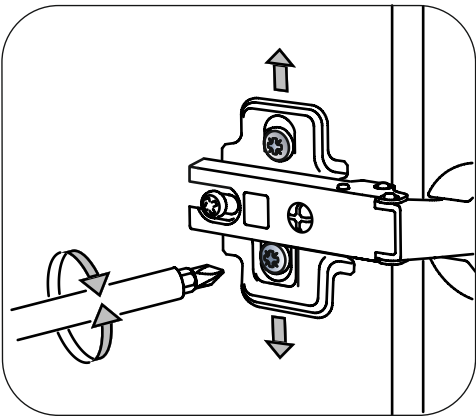
10



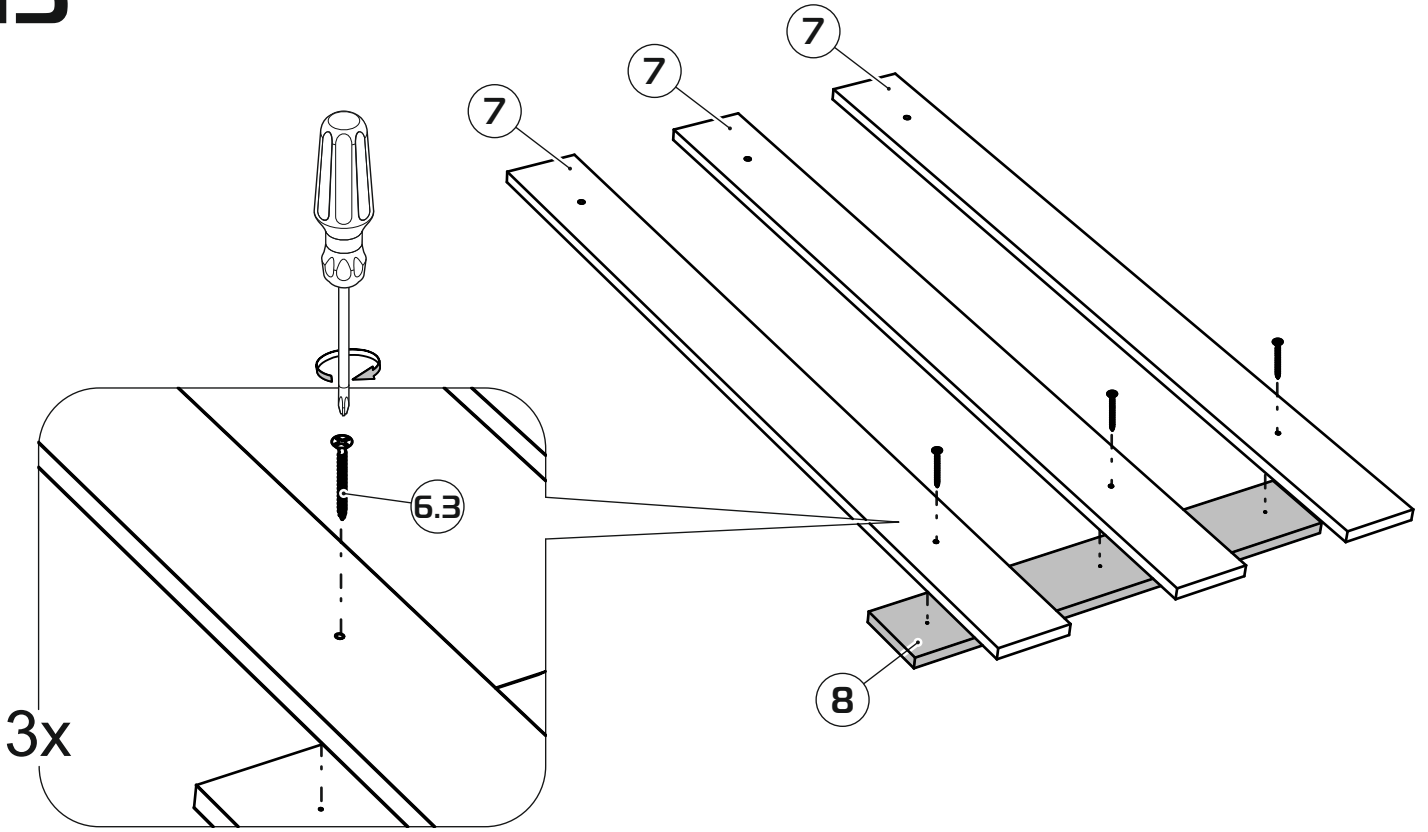
11



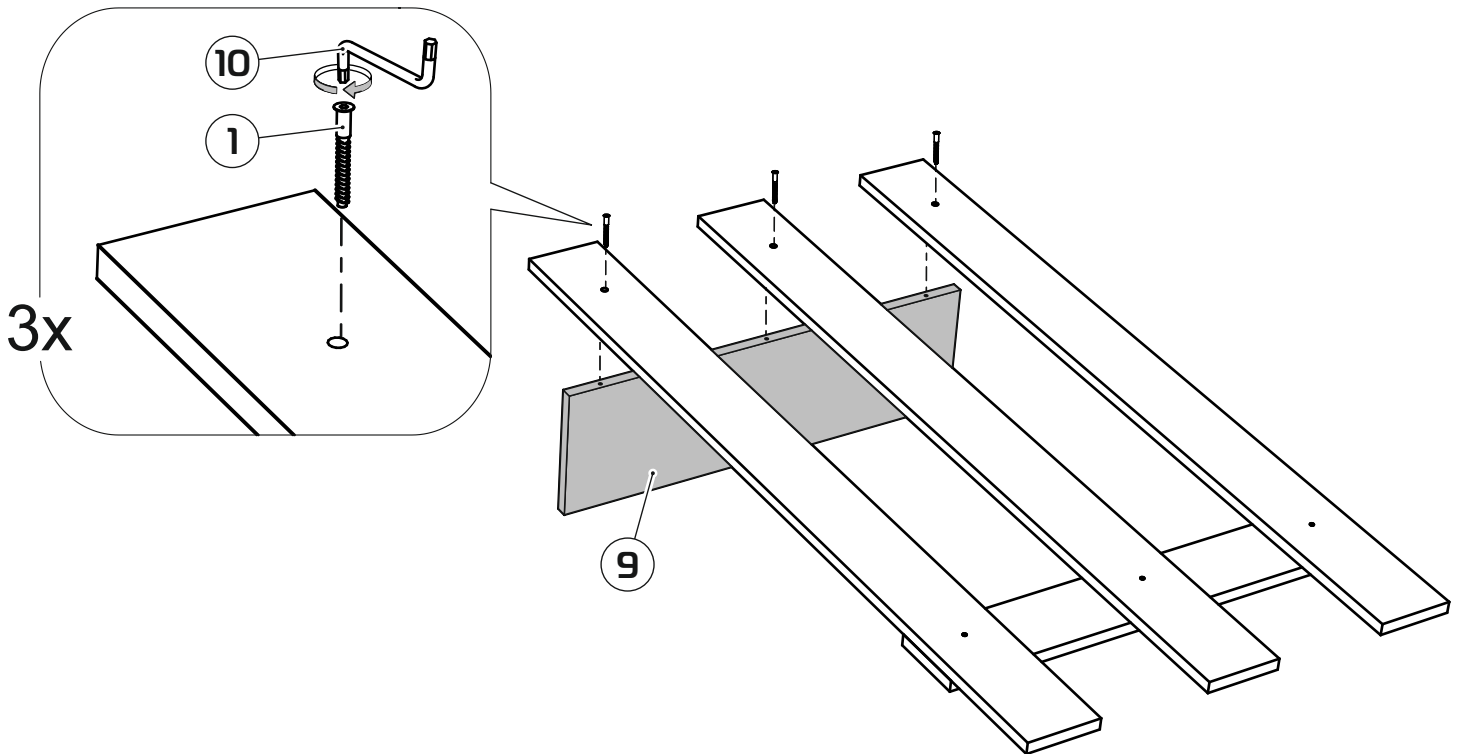
12



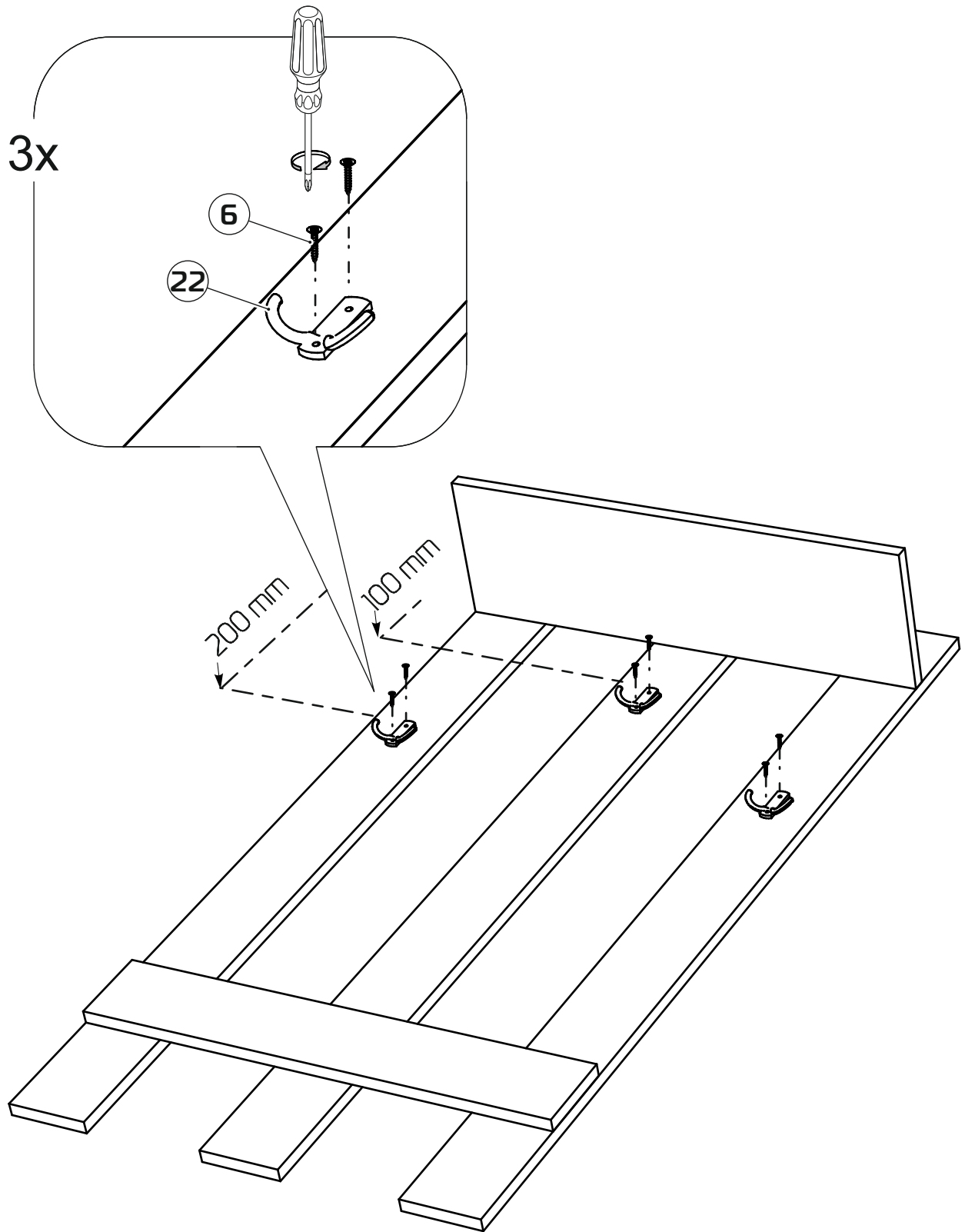
13



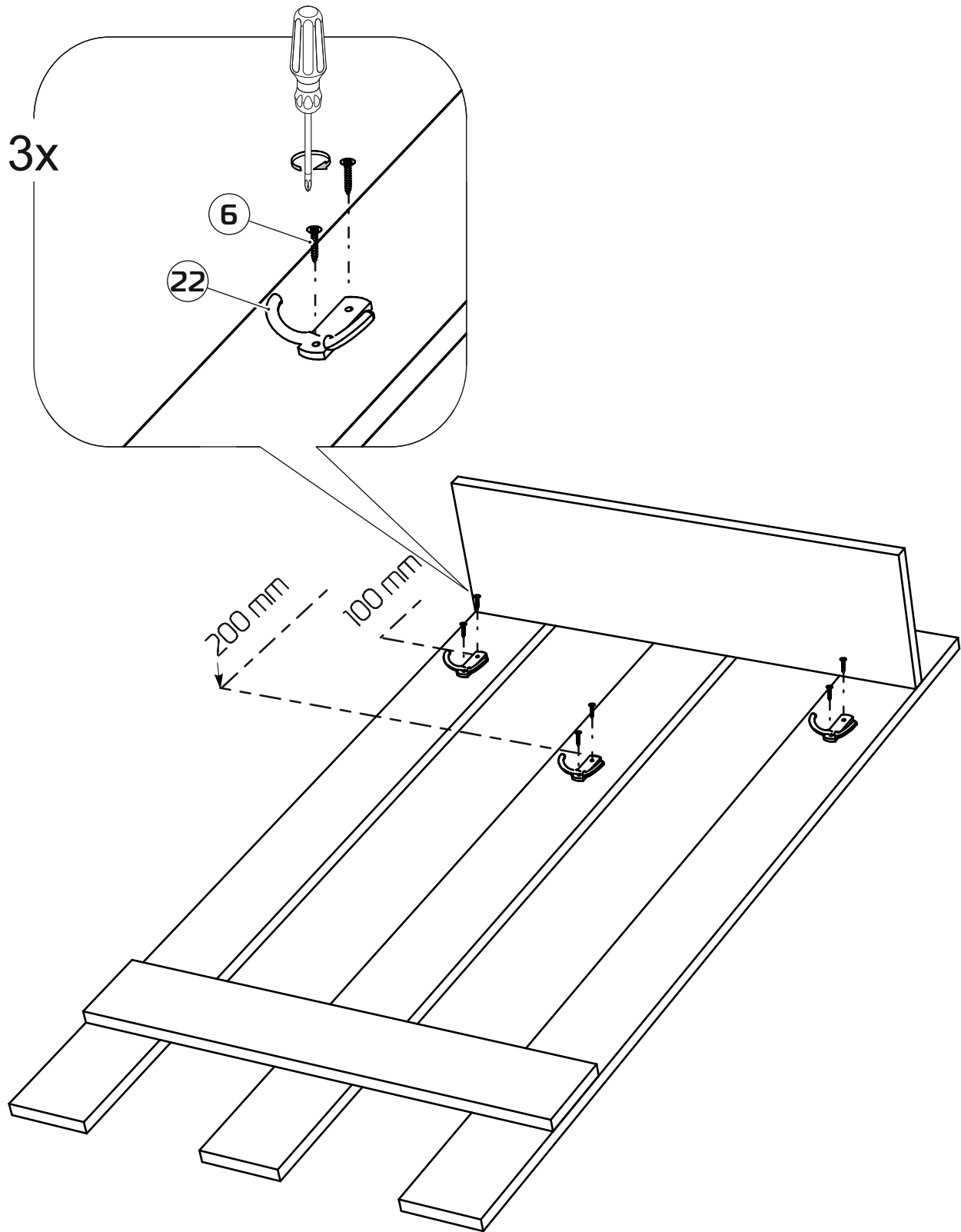
14



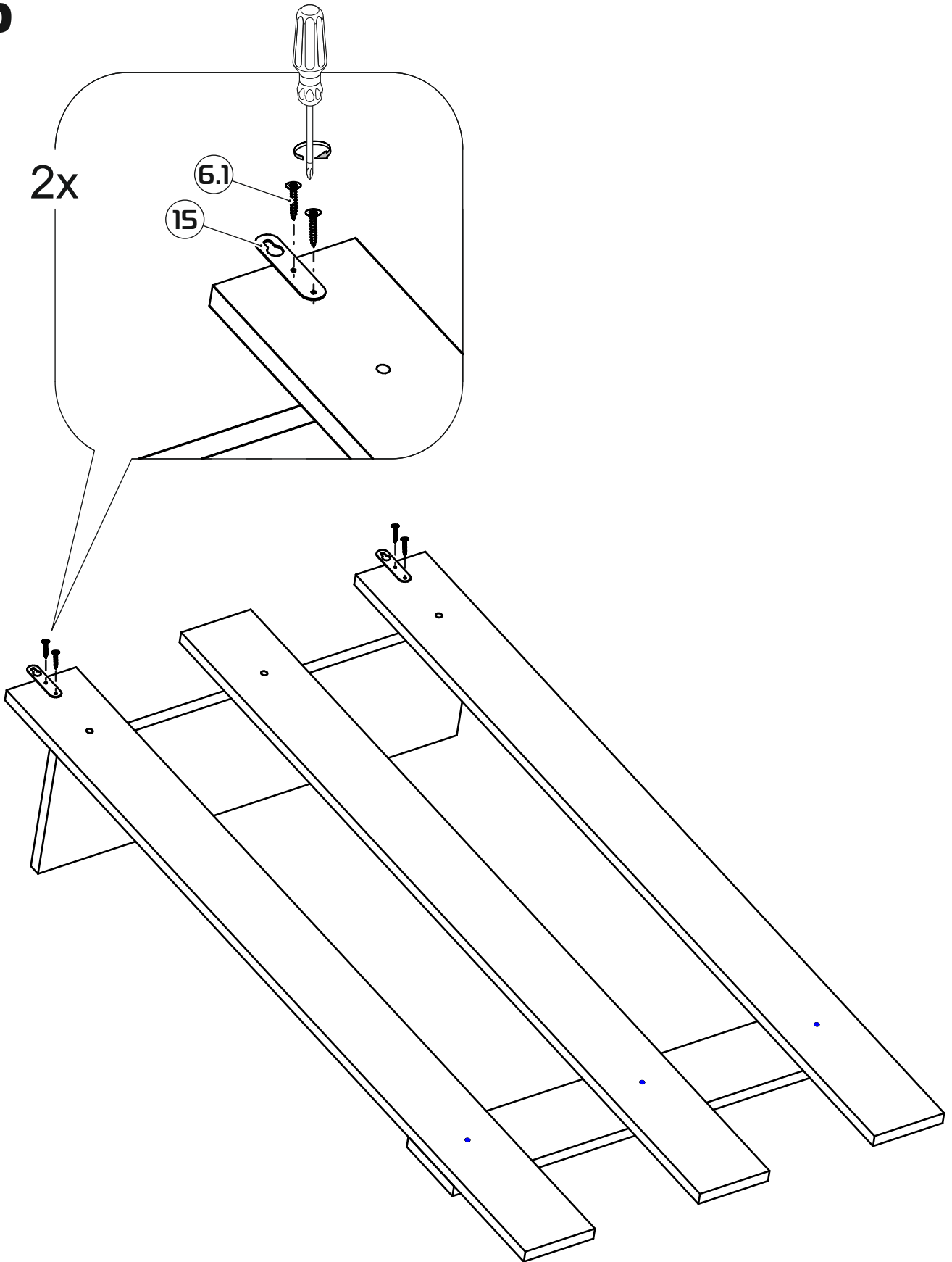
15-1

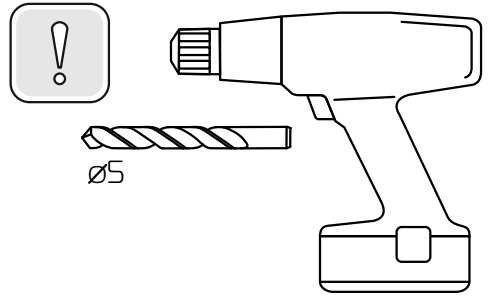
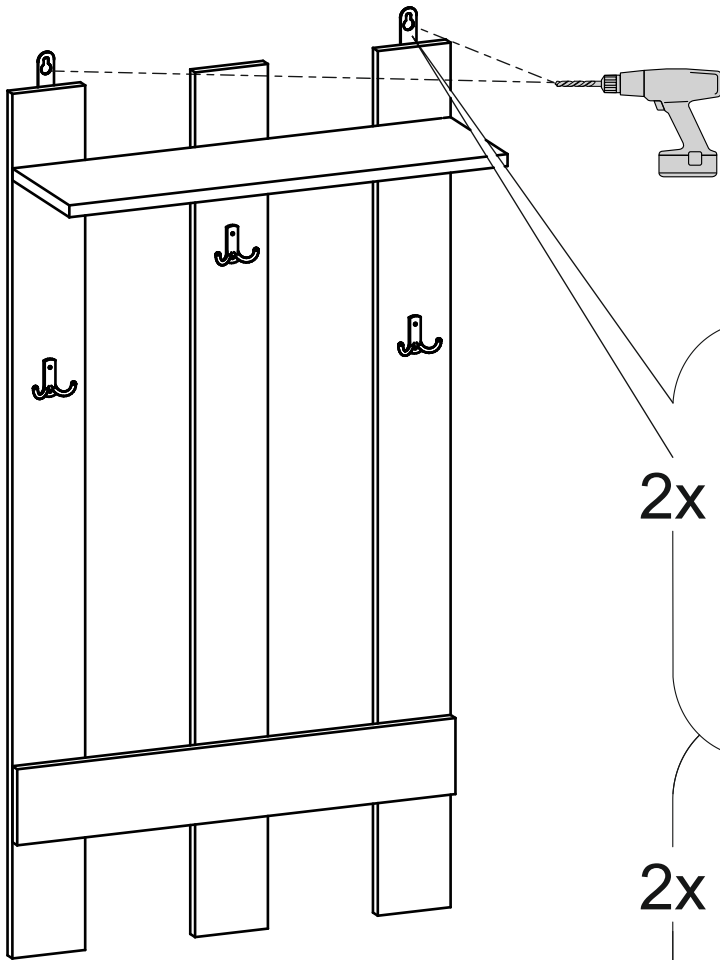


15-2

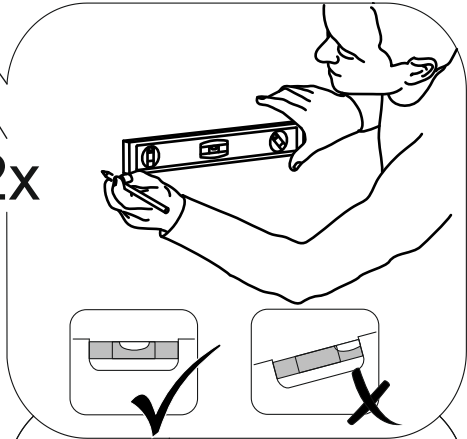


16

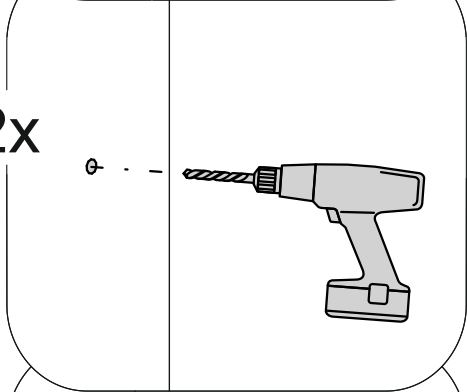




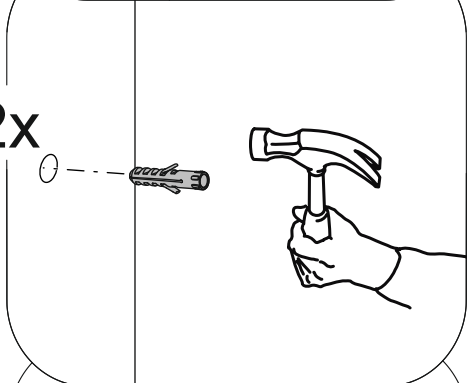
2x



2x



2x



2x

