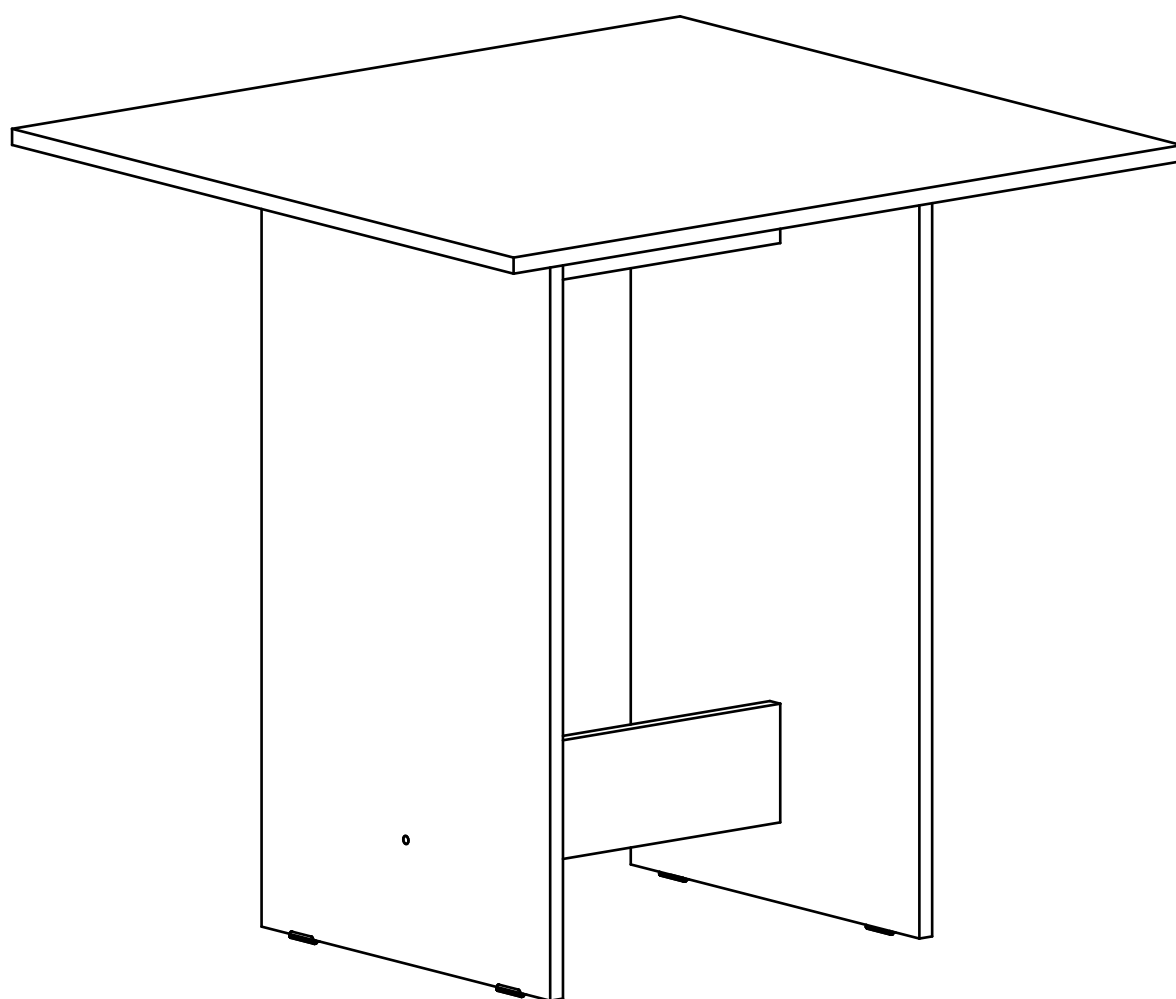
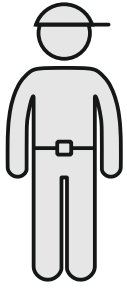


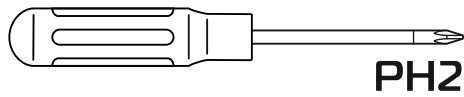
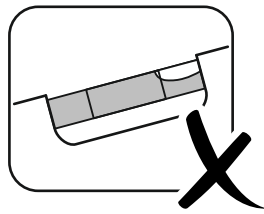
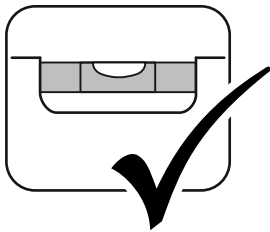
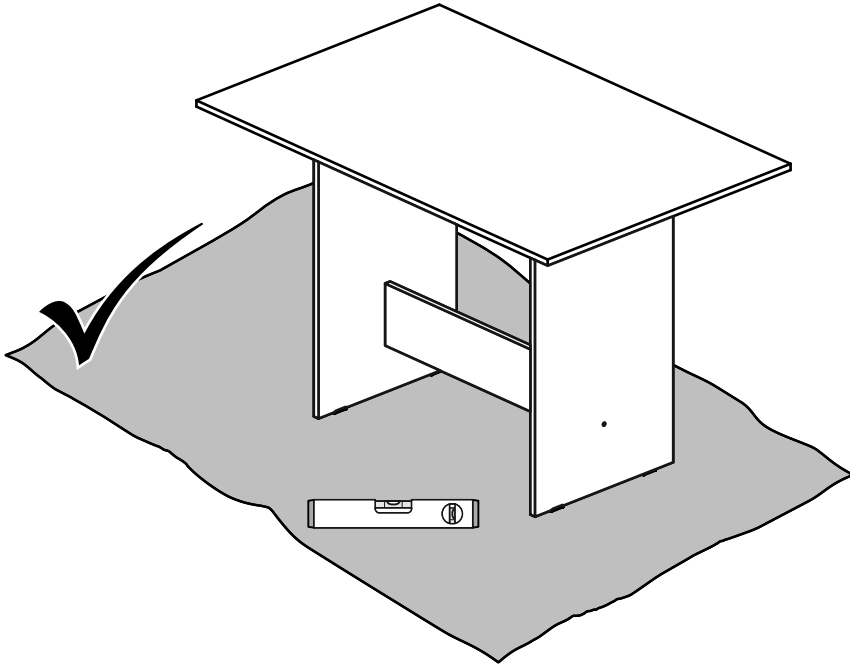
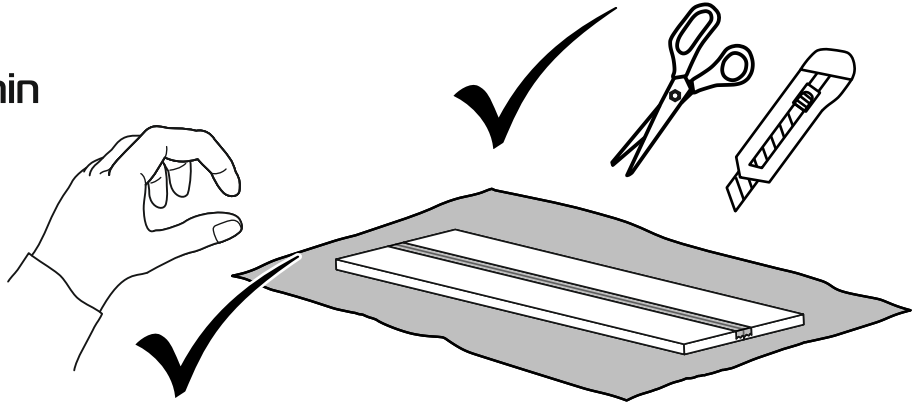
YHO-9

UNO-9

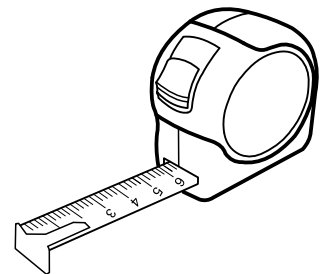
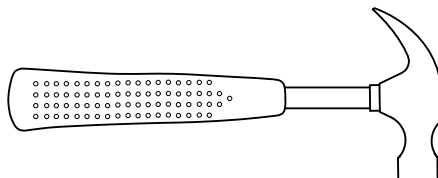
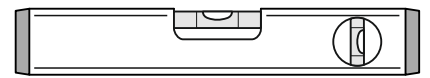


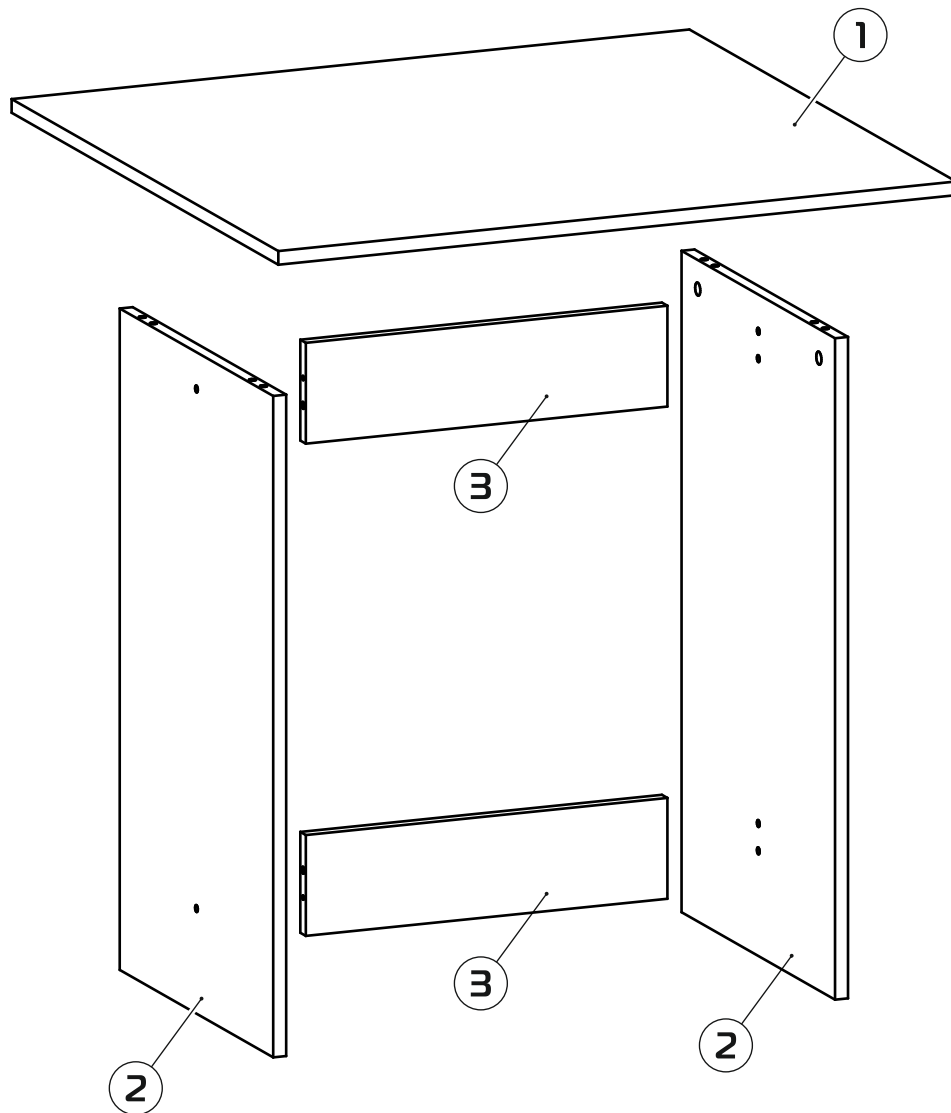


30-40 min



PH2



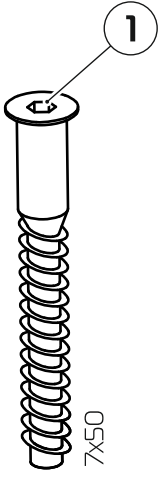


① 774x596x16 (x1)

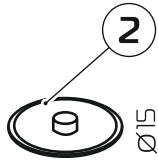
② 774x446x16 (x2)

③ 582x132x16 (x2)

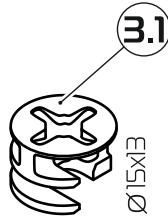
1:1



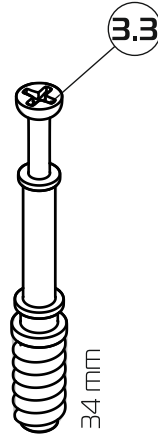
x4



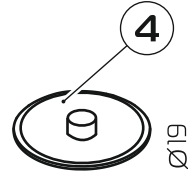
x4



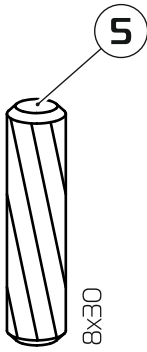
x4



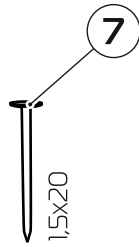
x4



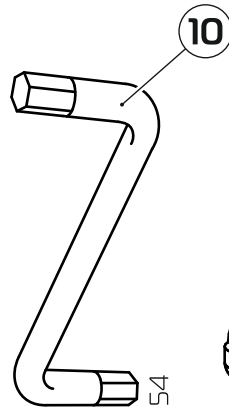
x4



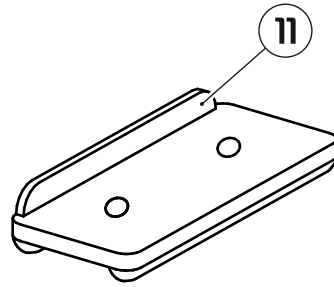
x8



x8



x1

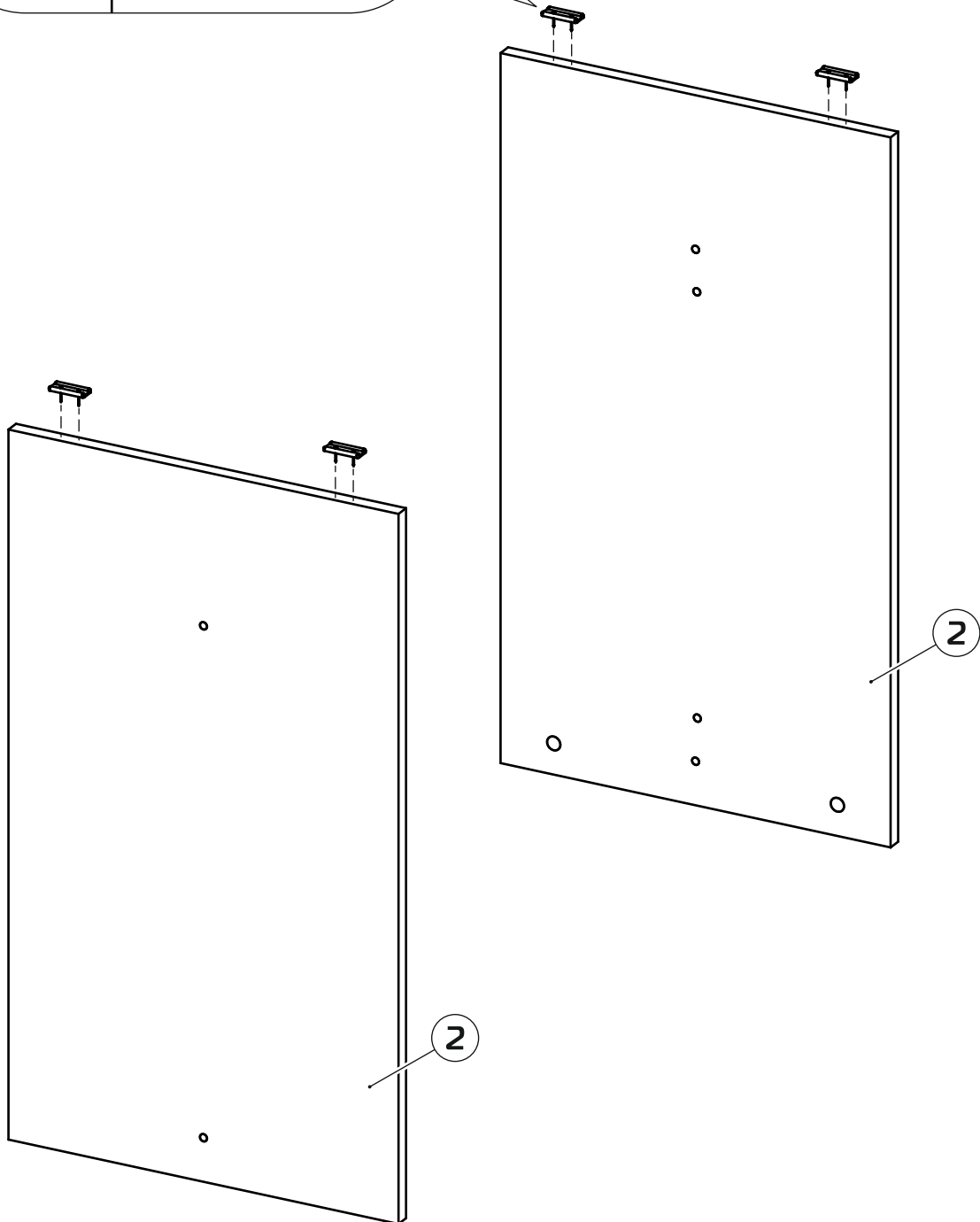
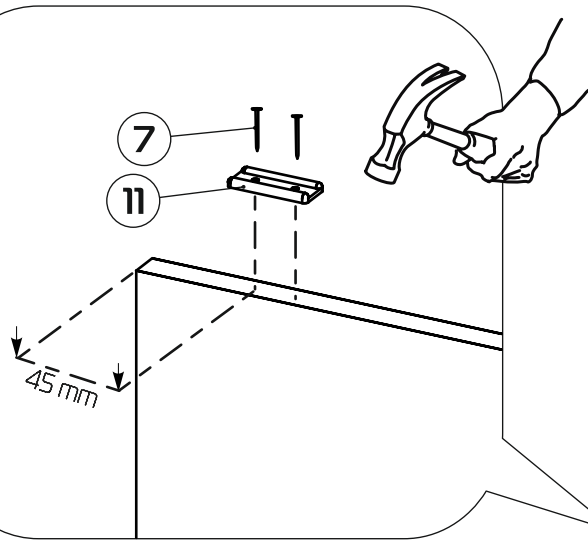


x4

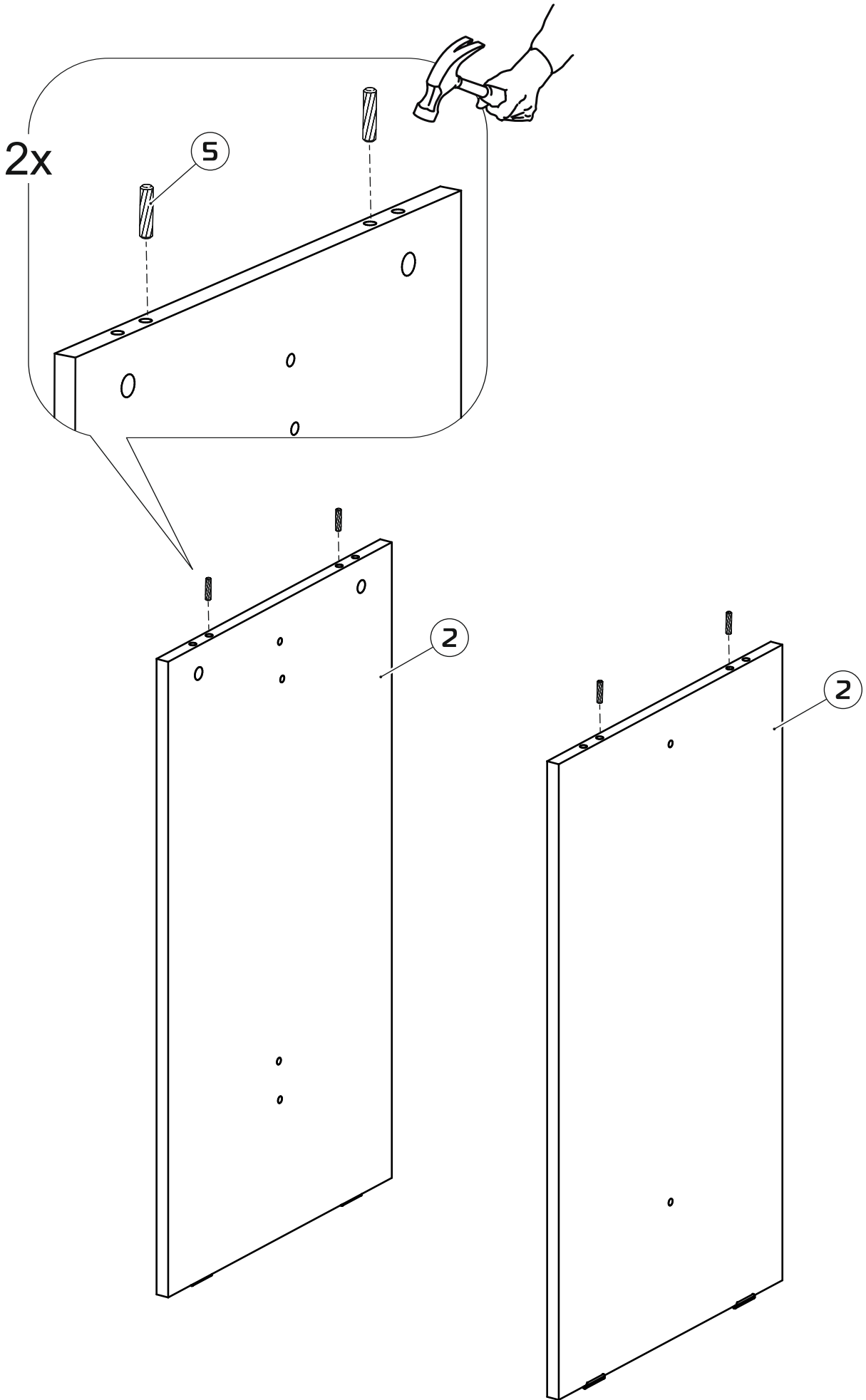


1

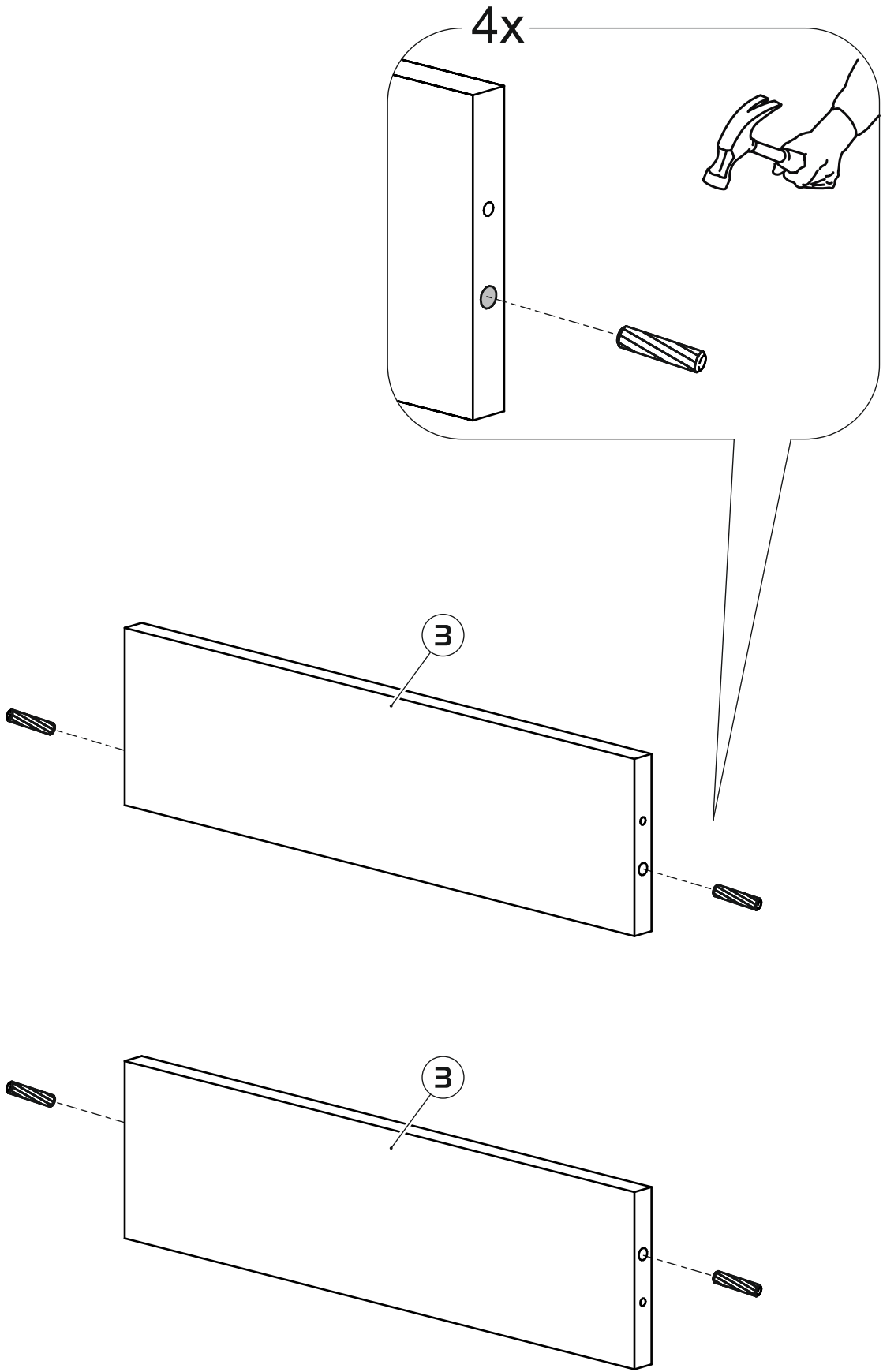
4x



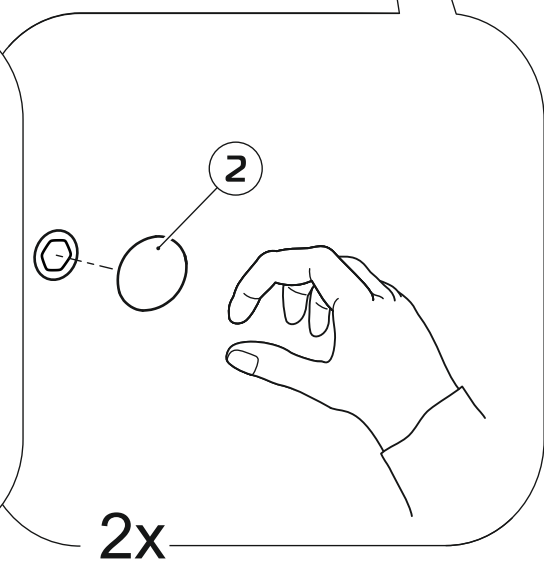
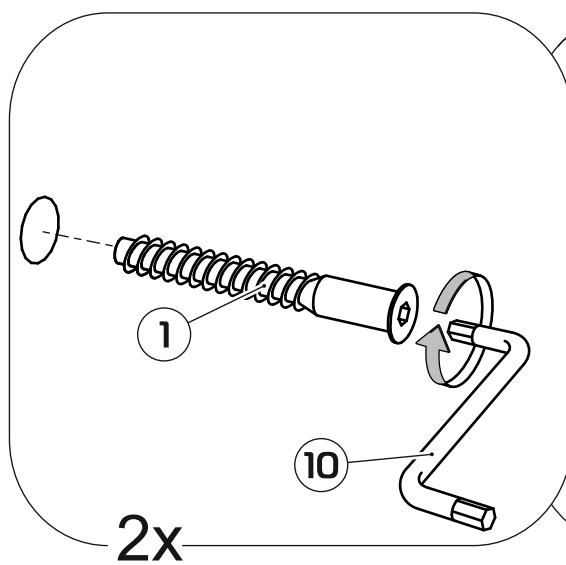
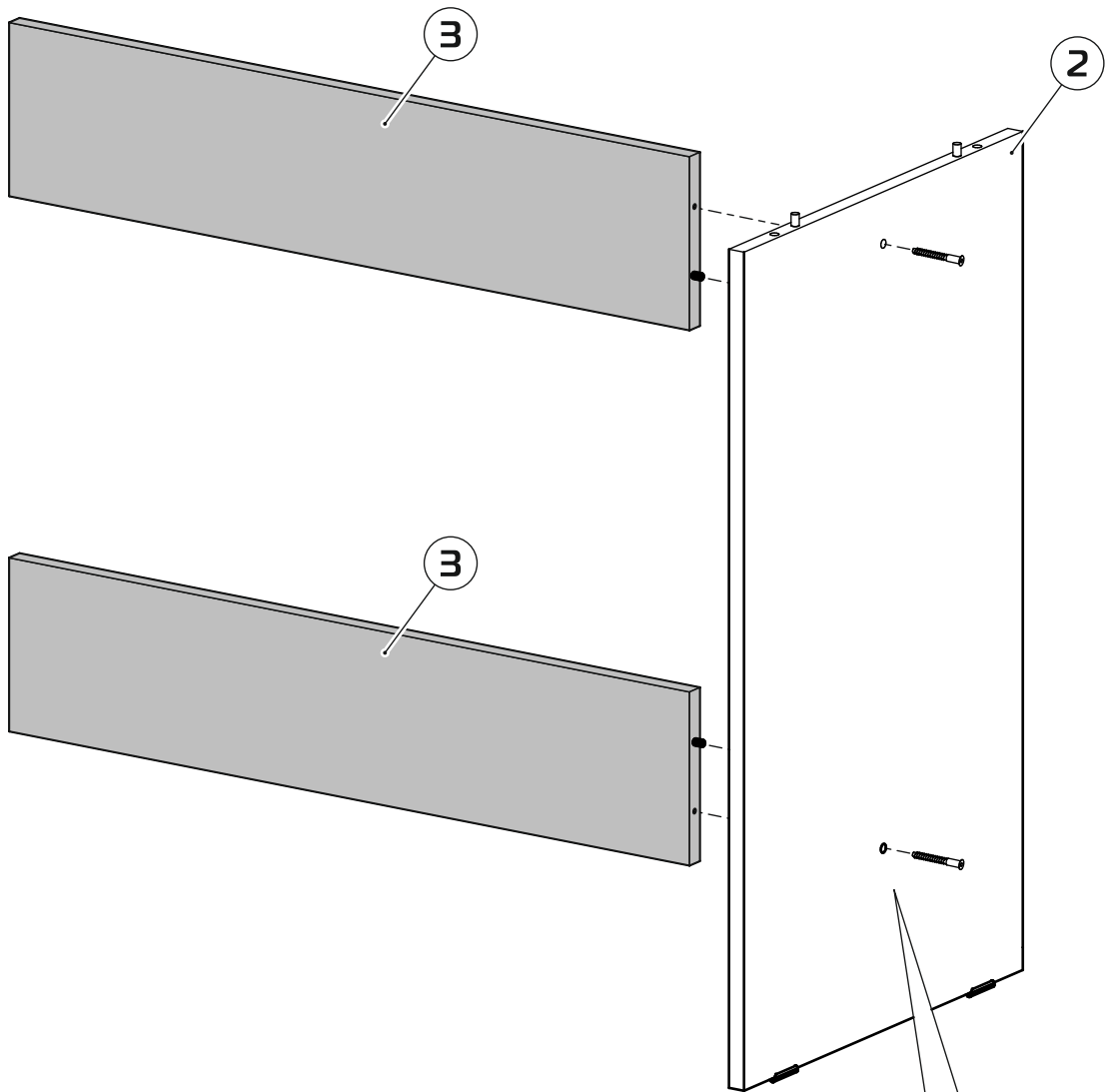
2



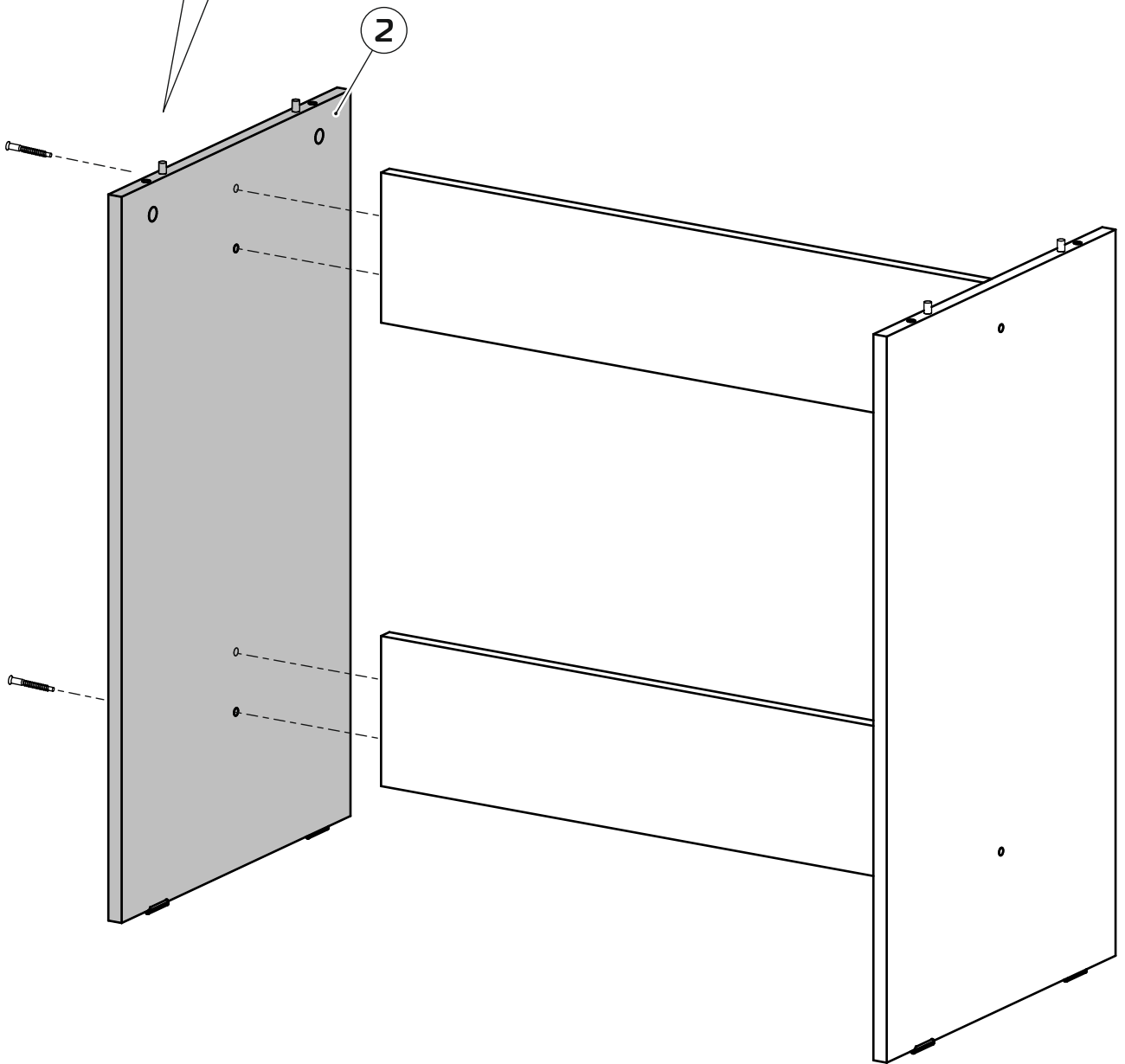
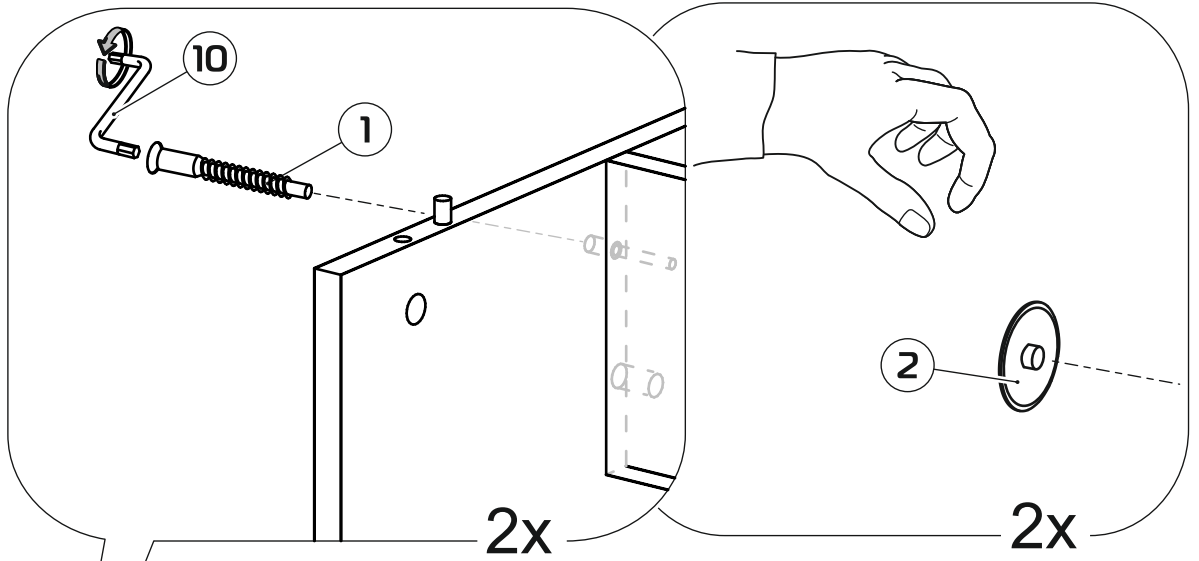
3



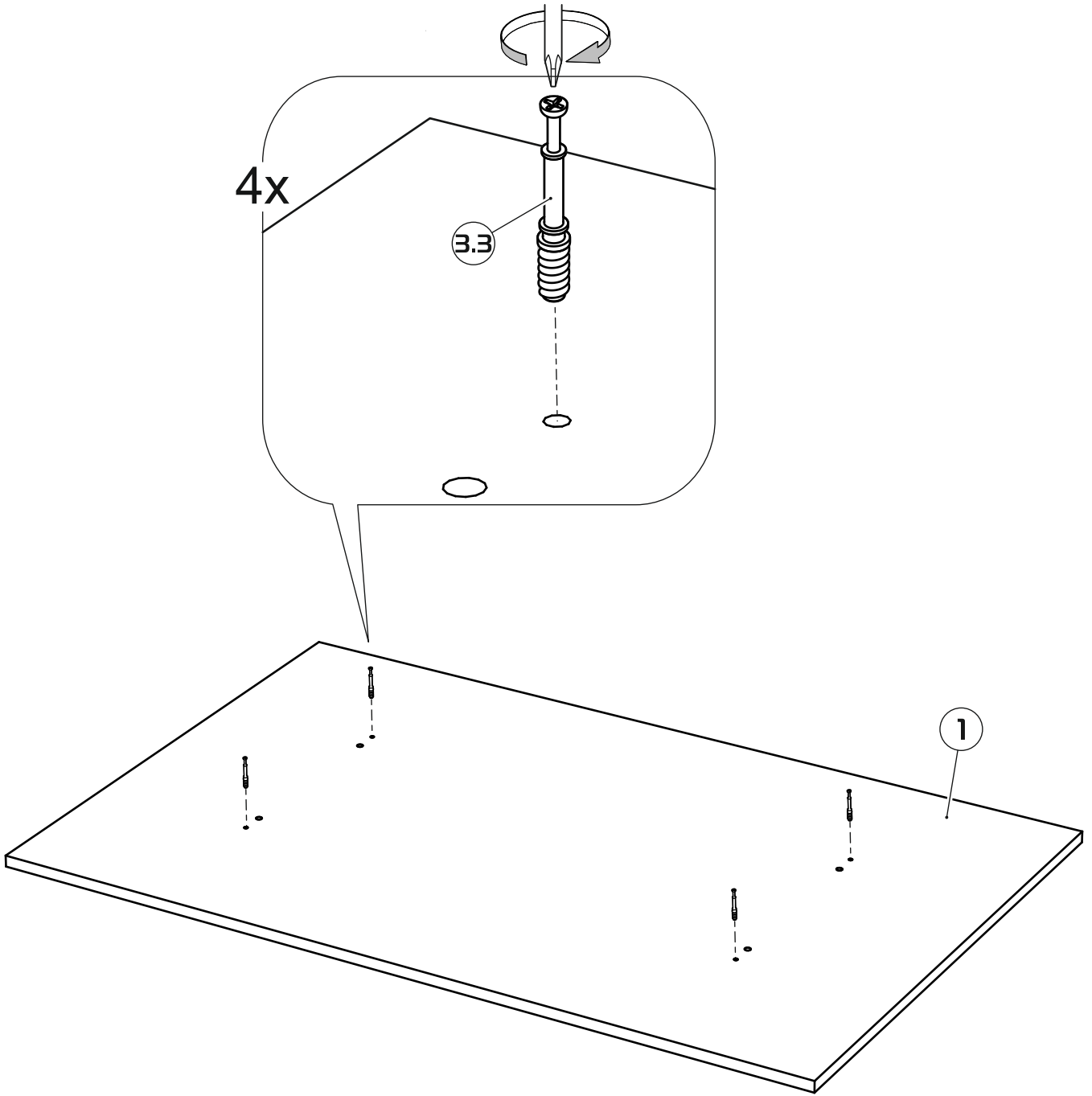
4



5



6



7

